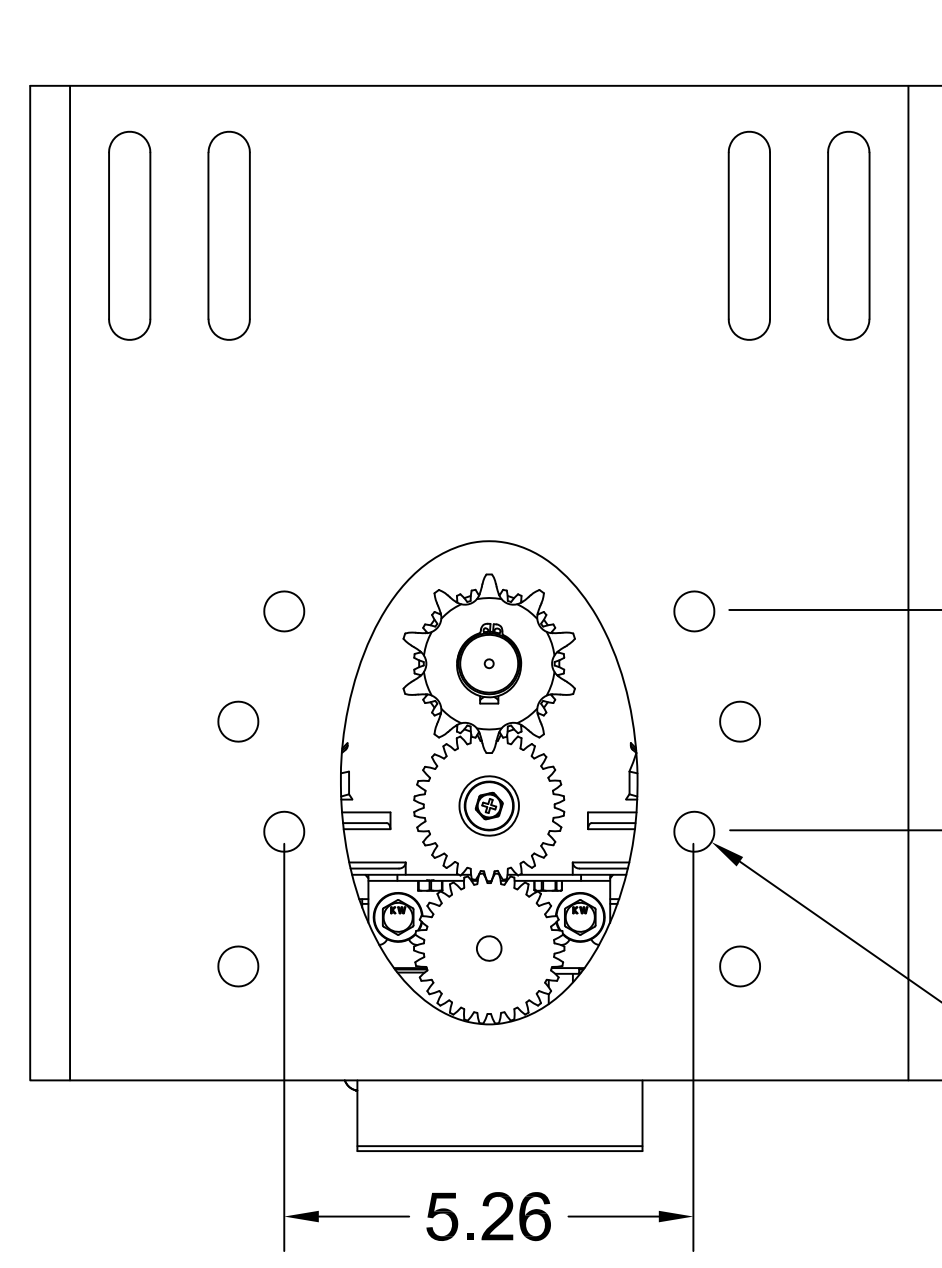


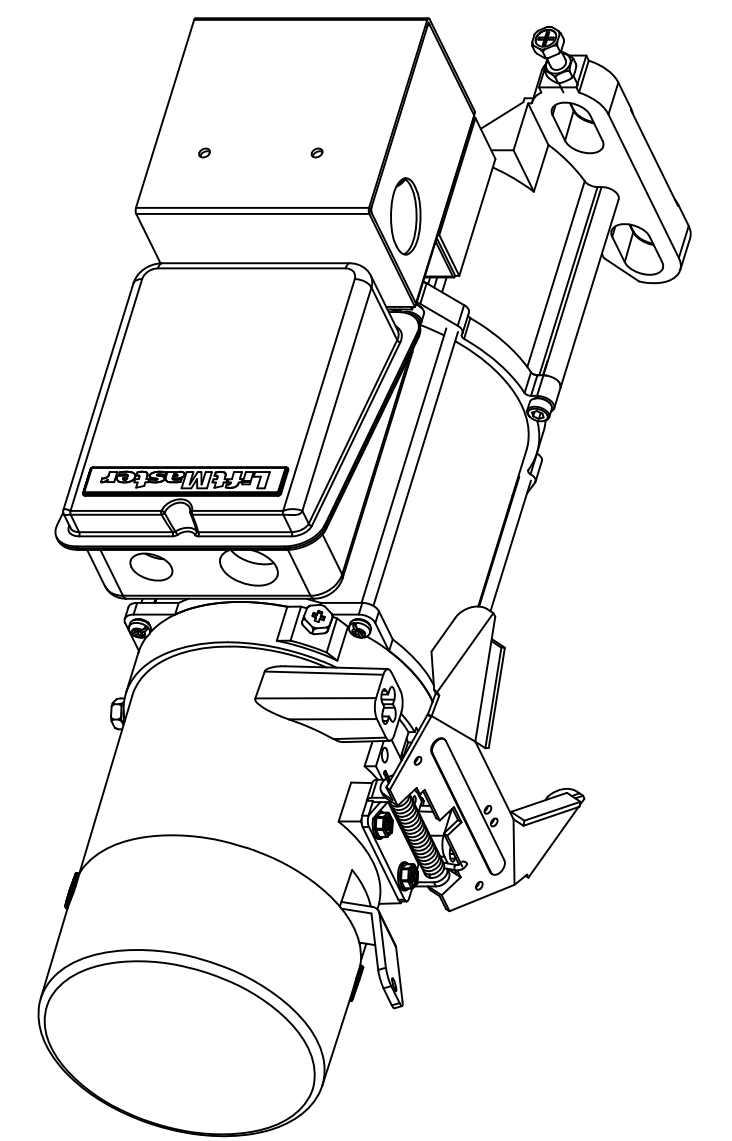
RIGHT VIEW



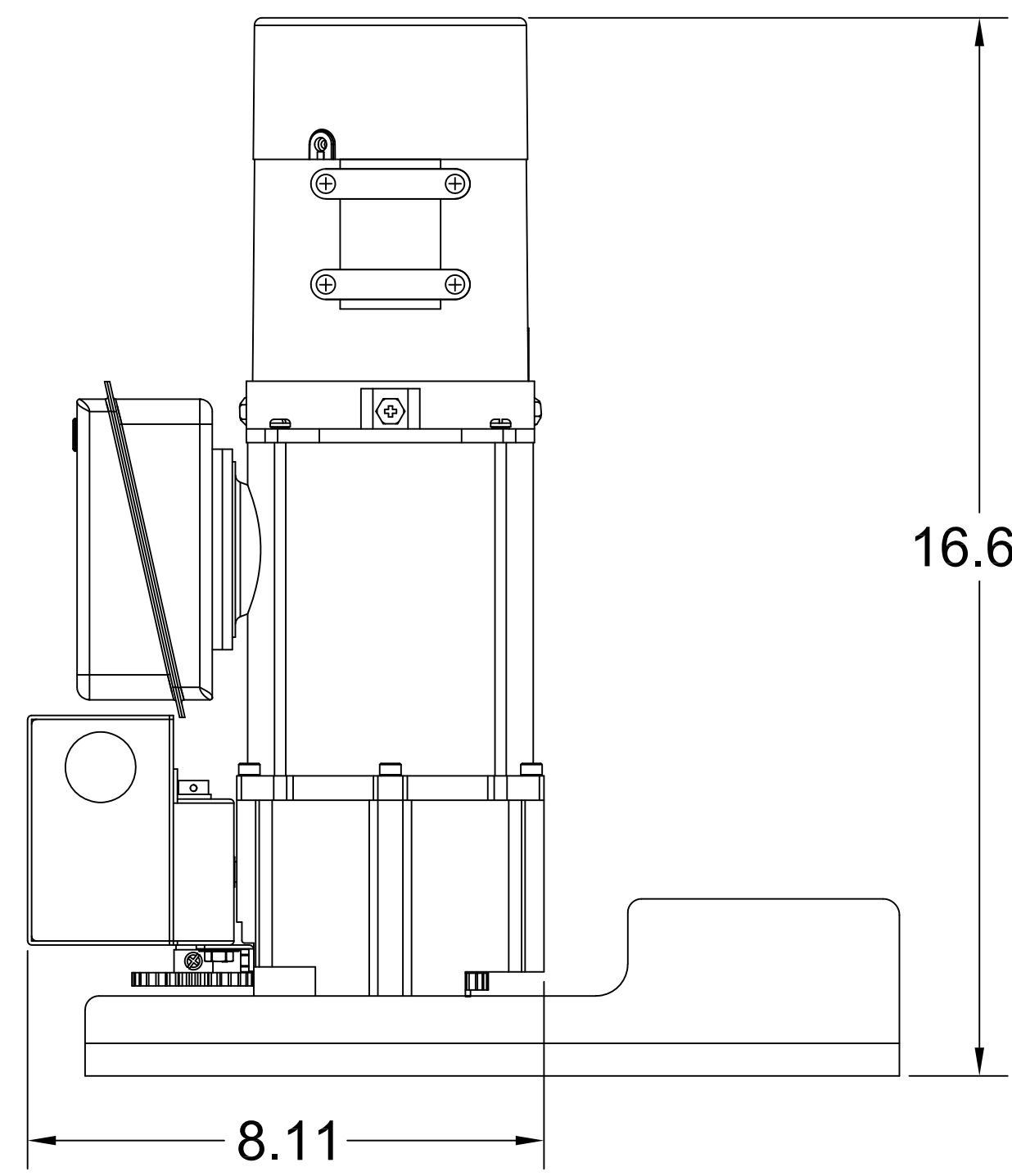
LEFT VIEW

MOUNTING
PLATE (TYP.)

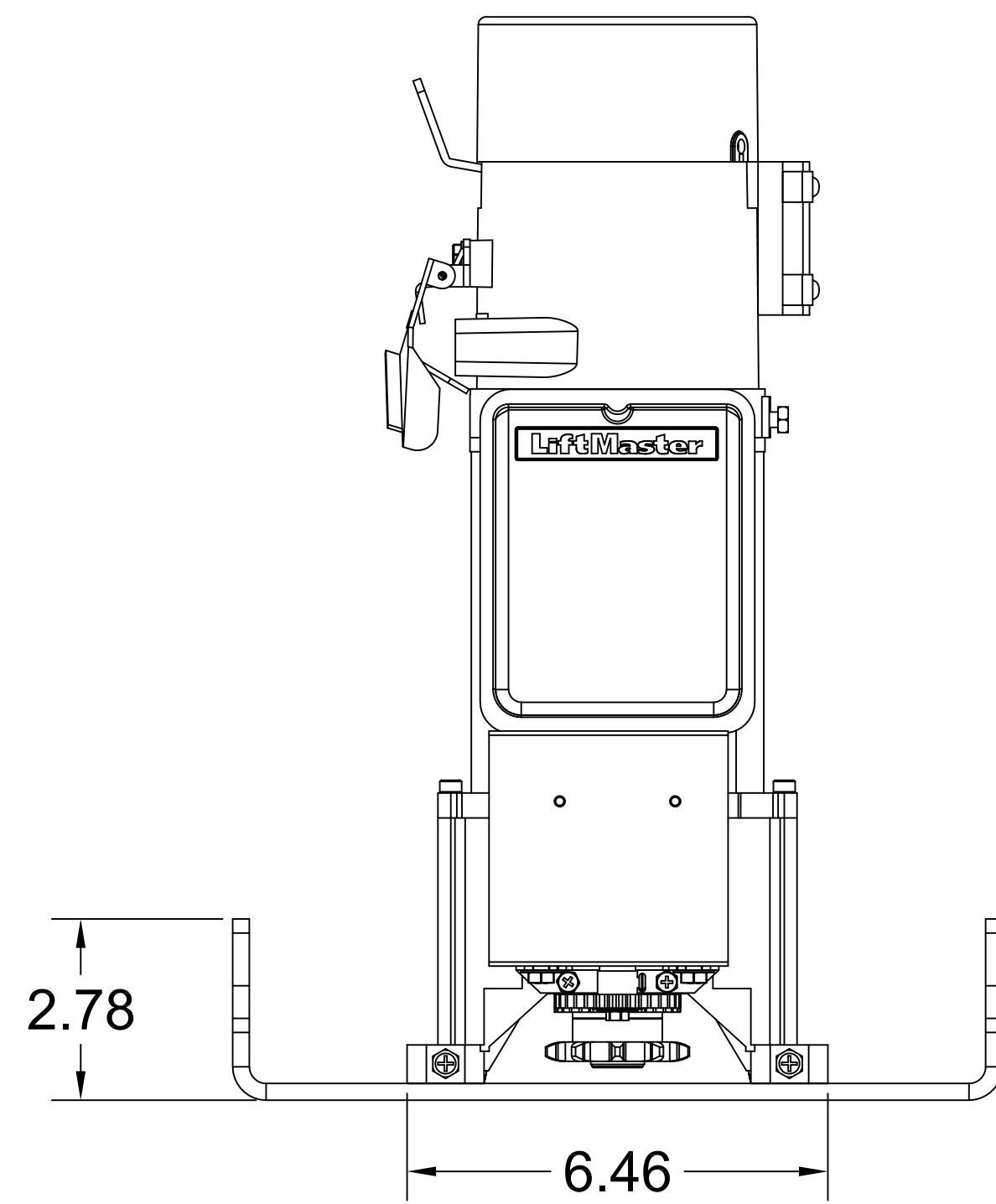
MOUNTING
HOLES
(4 PLCS.)



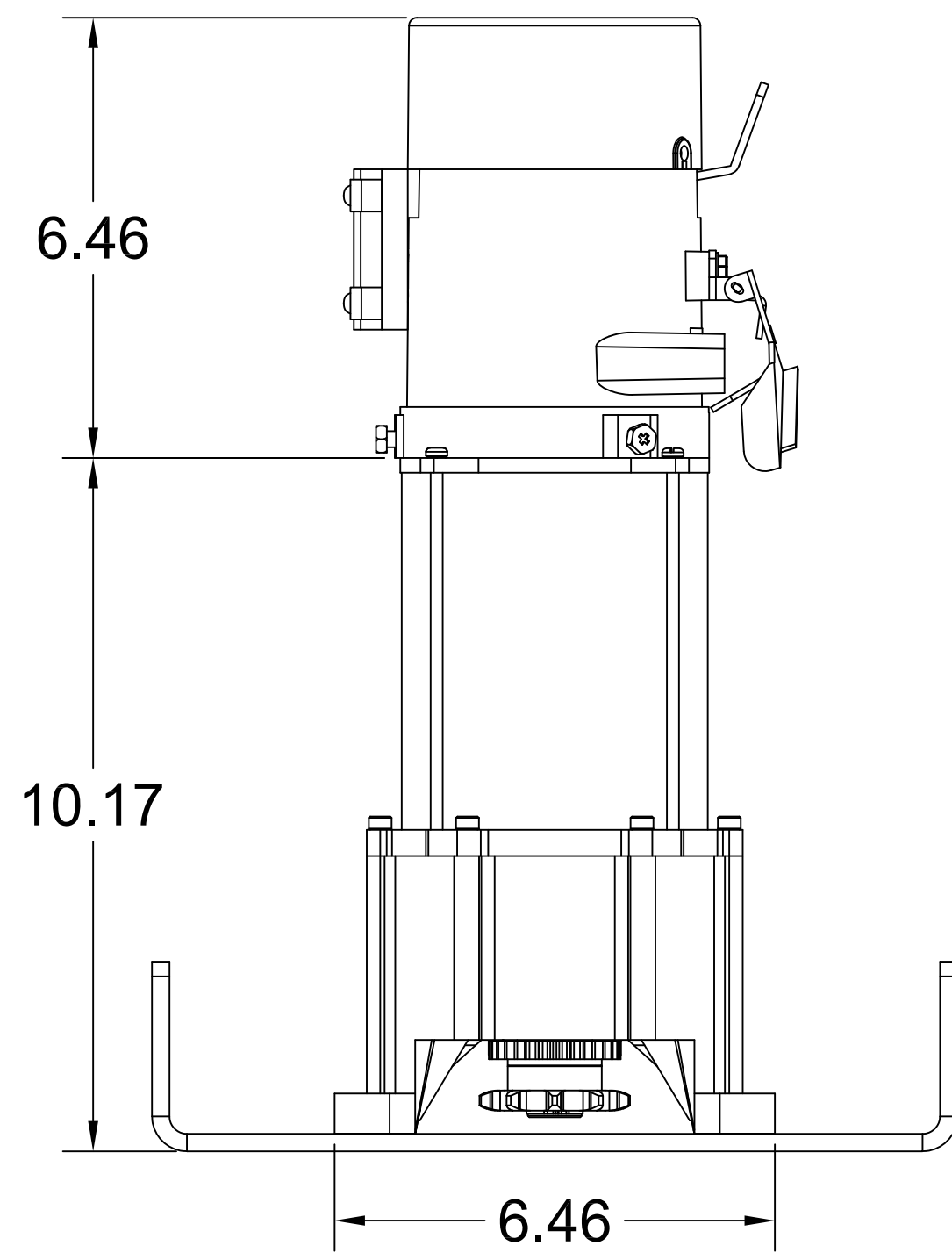
ISOMETRIC VIEW
MOUNTING PLATE NOT
SHOWN



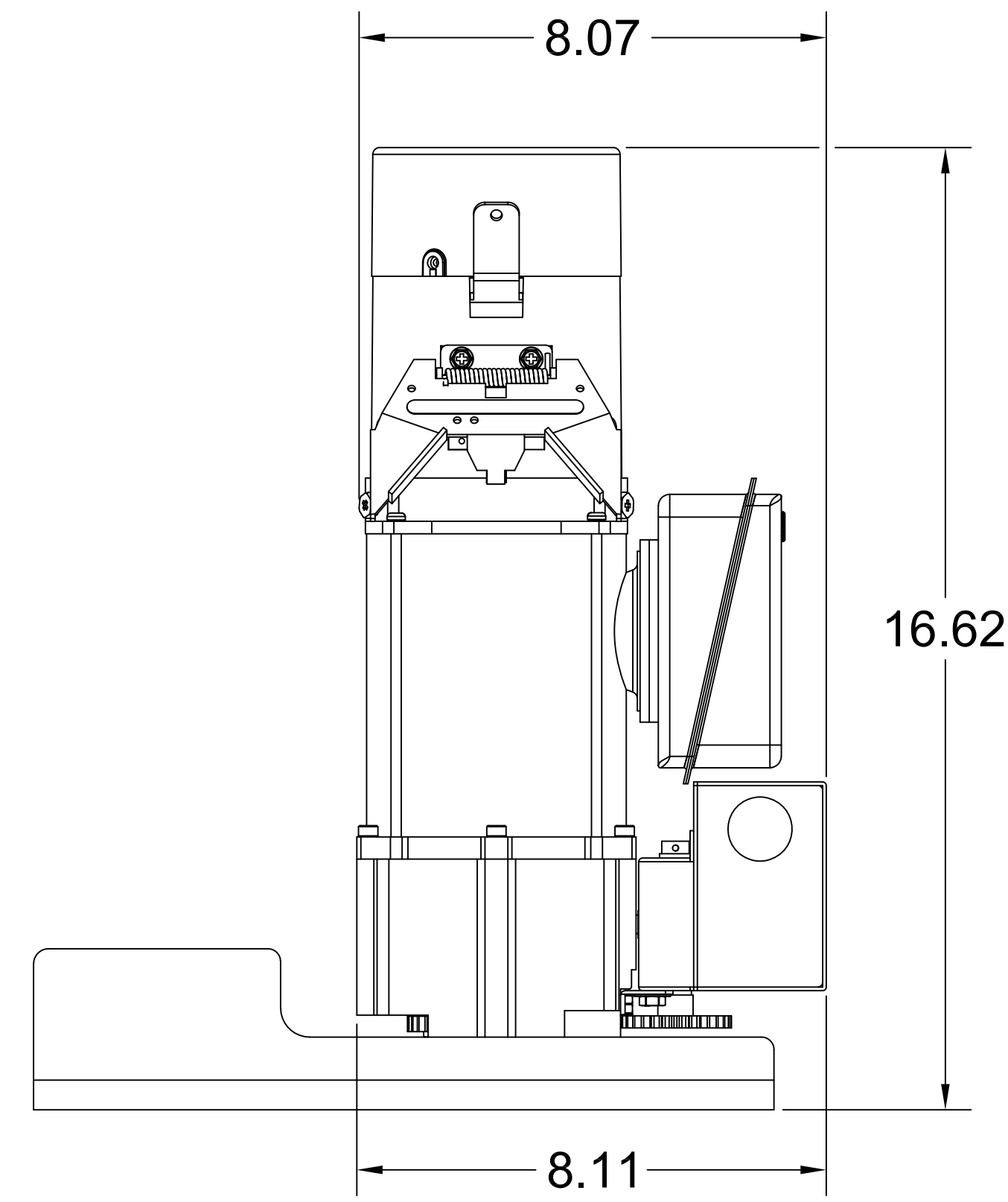
BOTTOM VIEW



FRONT VIEW



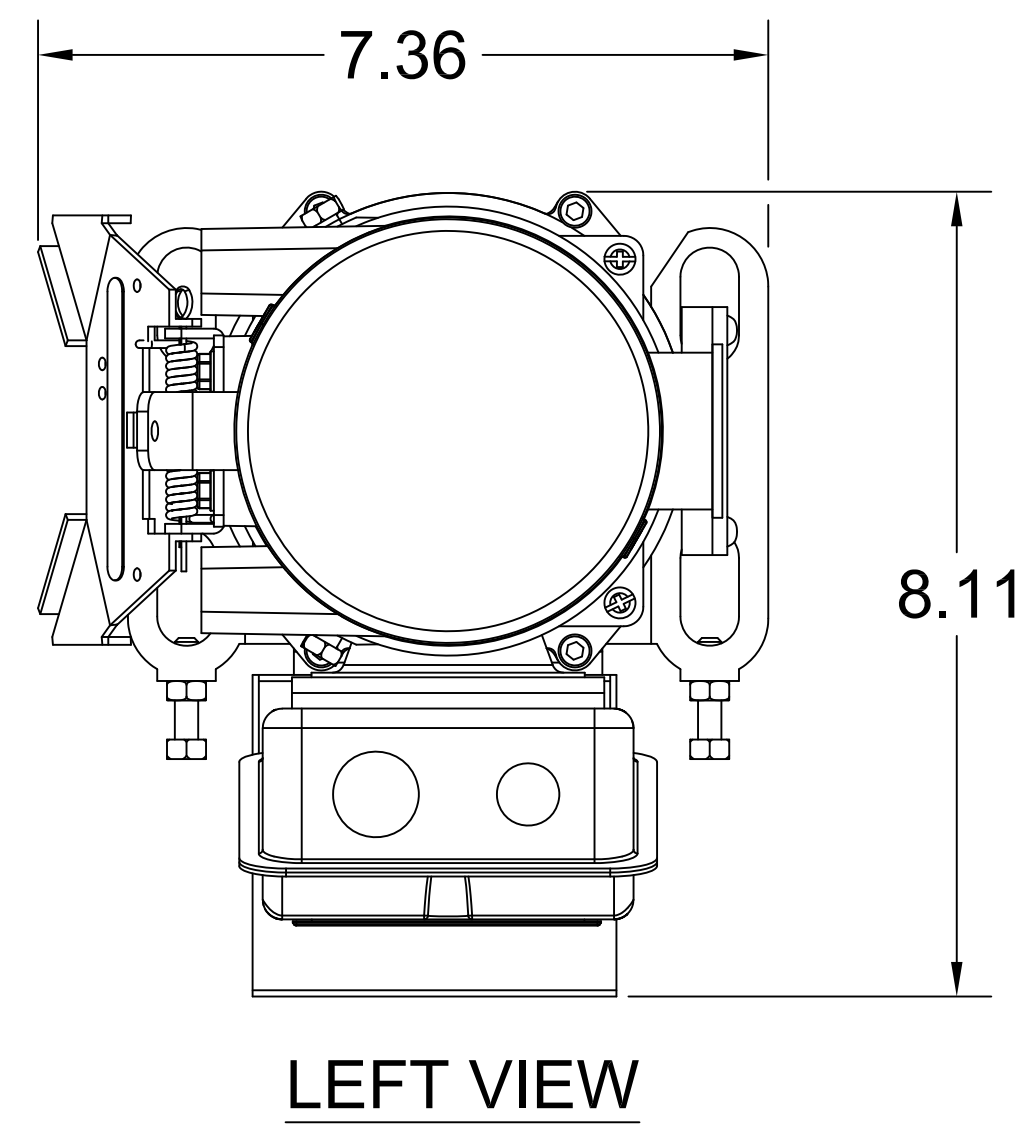
BACK VIEW



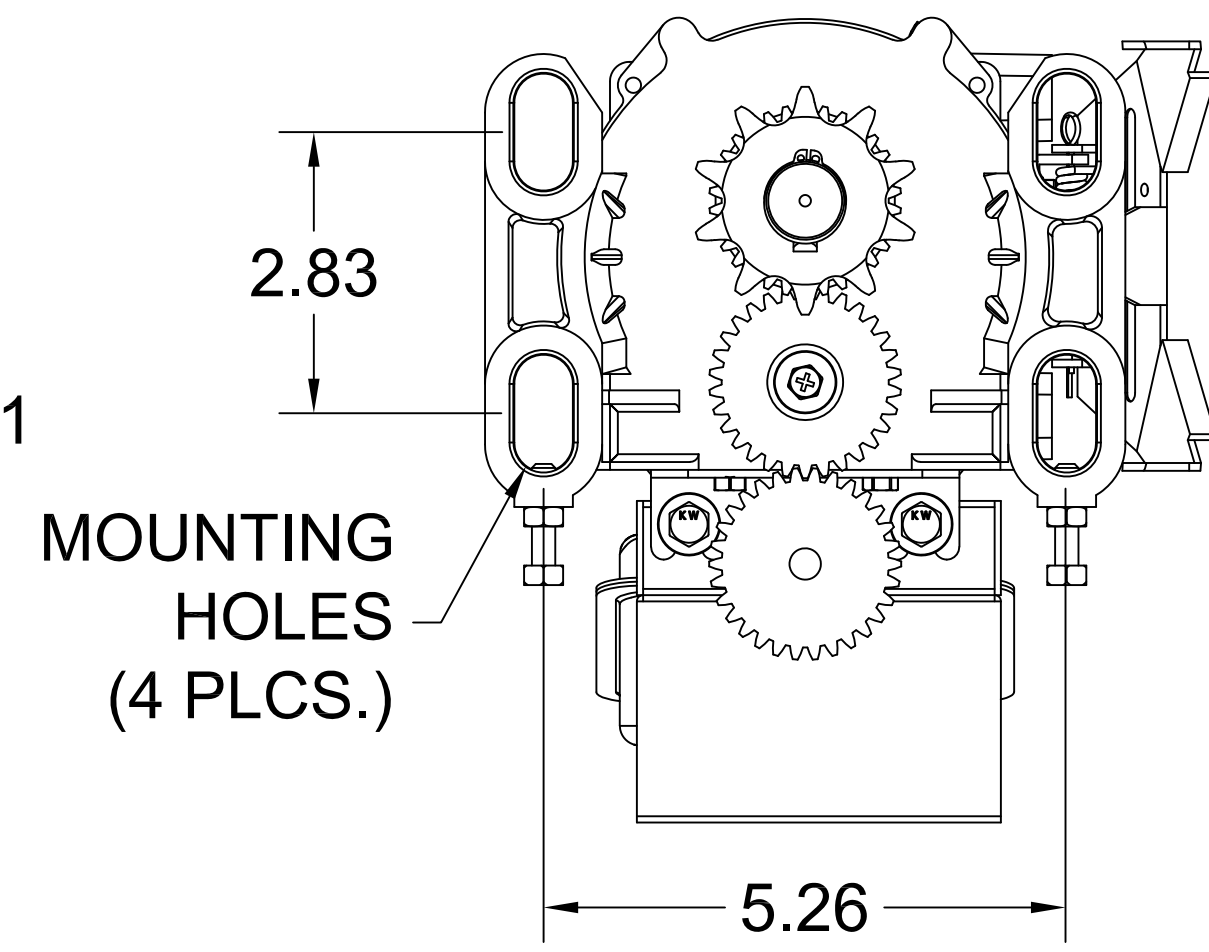
TOP VIEW

(VFOH) 1/2 H.P. COMMERCIAL DOOR OPERATOR
(WITH MOUNTING PLATE SHOWN)

		300 WINDSOR DR. OAK BROOK, IL 60523 PHONE: (630) 418-6516 FAX: (630) 516-7059
DRW. BY: B. MOFFETT DATE: 02/26/2020 TITLE: LIFTMASTER (VFOH) OPERATOR UNIT CAD FILE: -	REVISION: SCALE: NTS	SHEET NO: 1/1

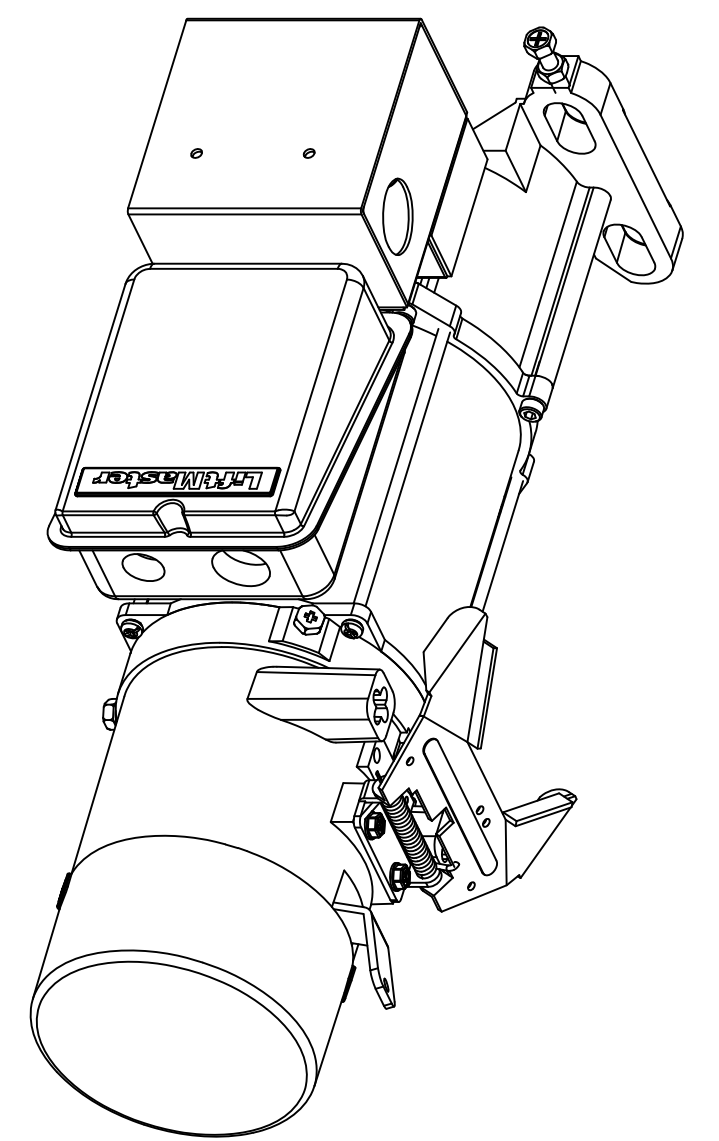


LEFT VIEW

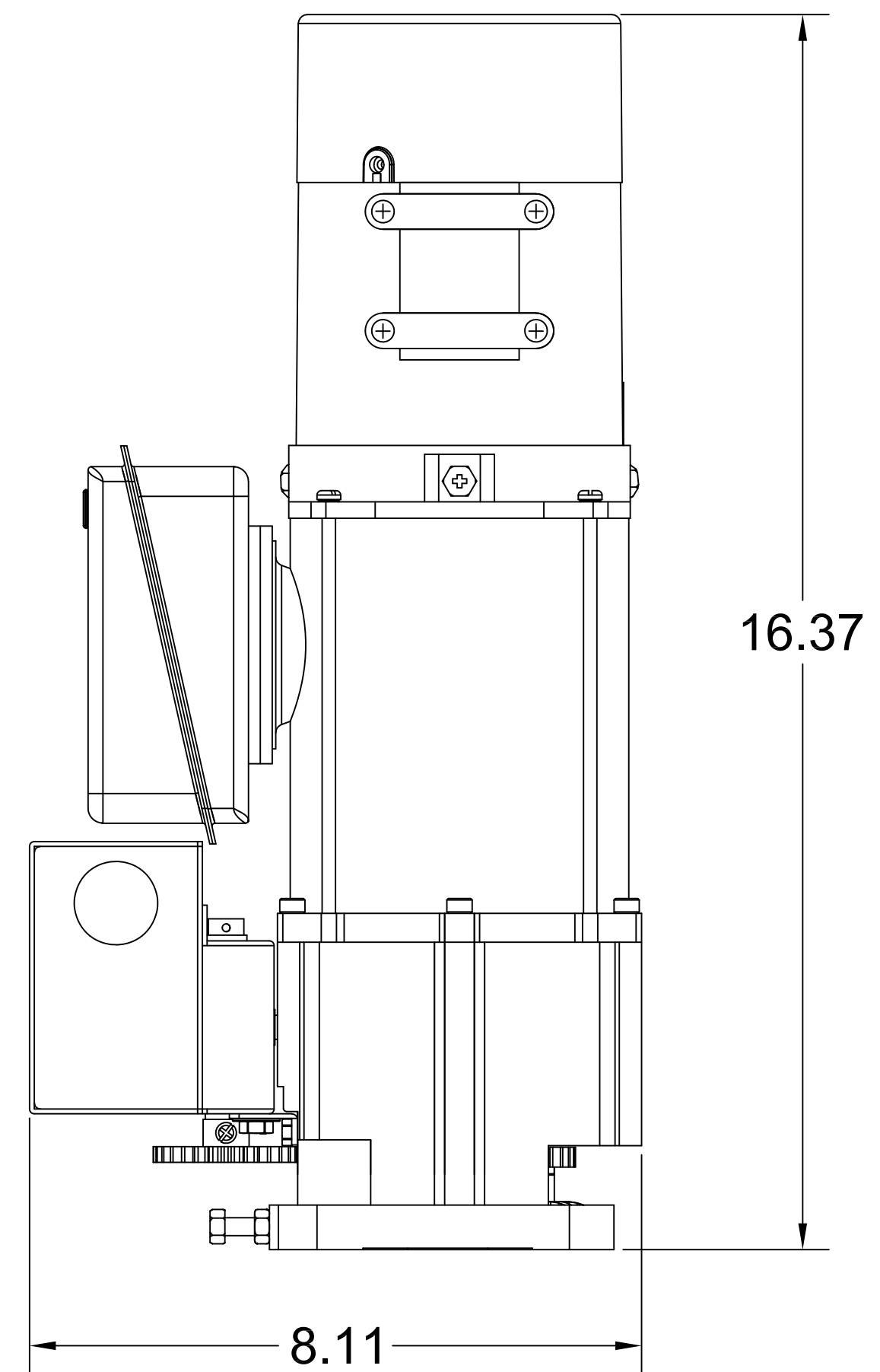


MOUNTING HOLES (4 PLCS.)

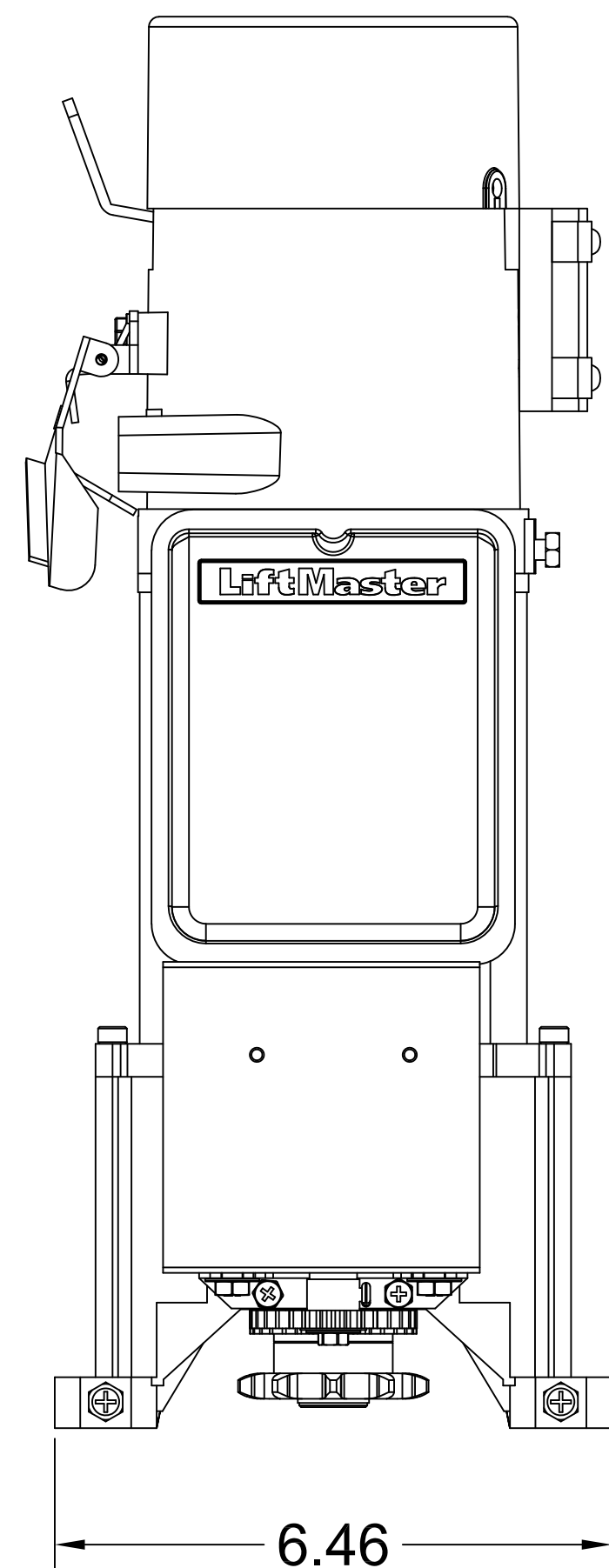
RIGHT VIEW



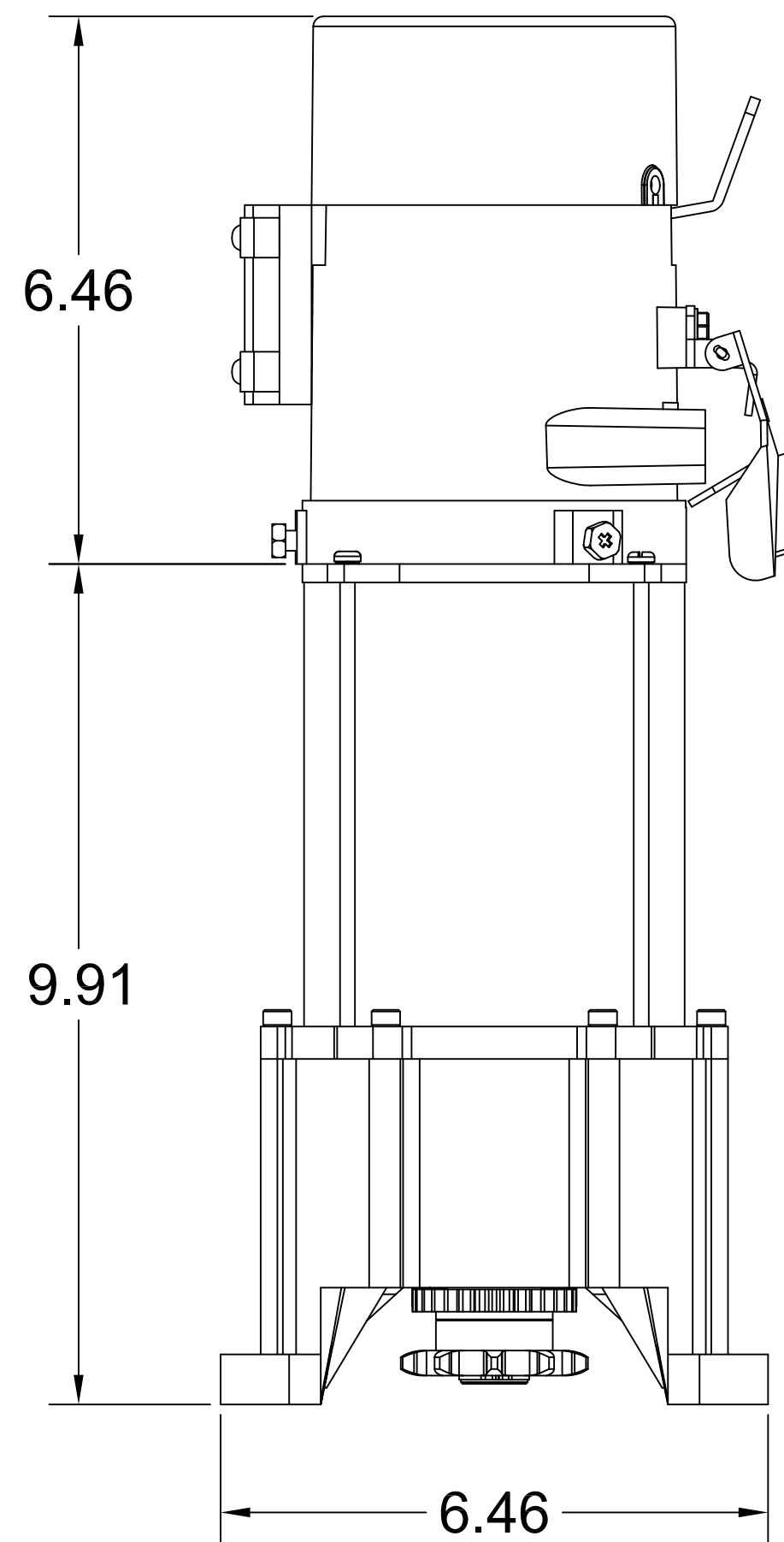
ISOMETRIC VIEW



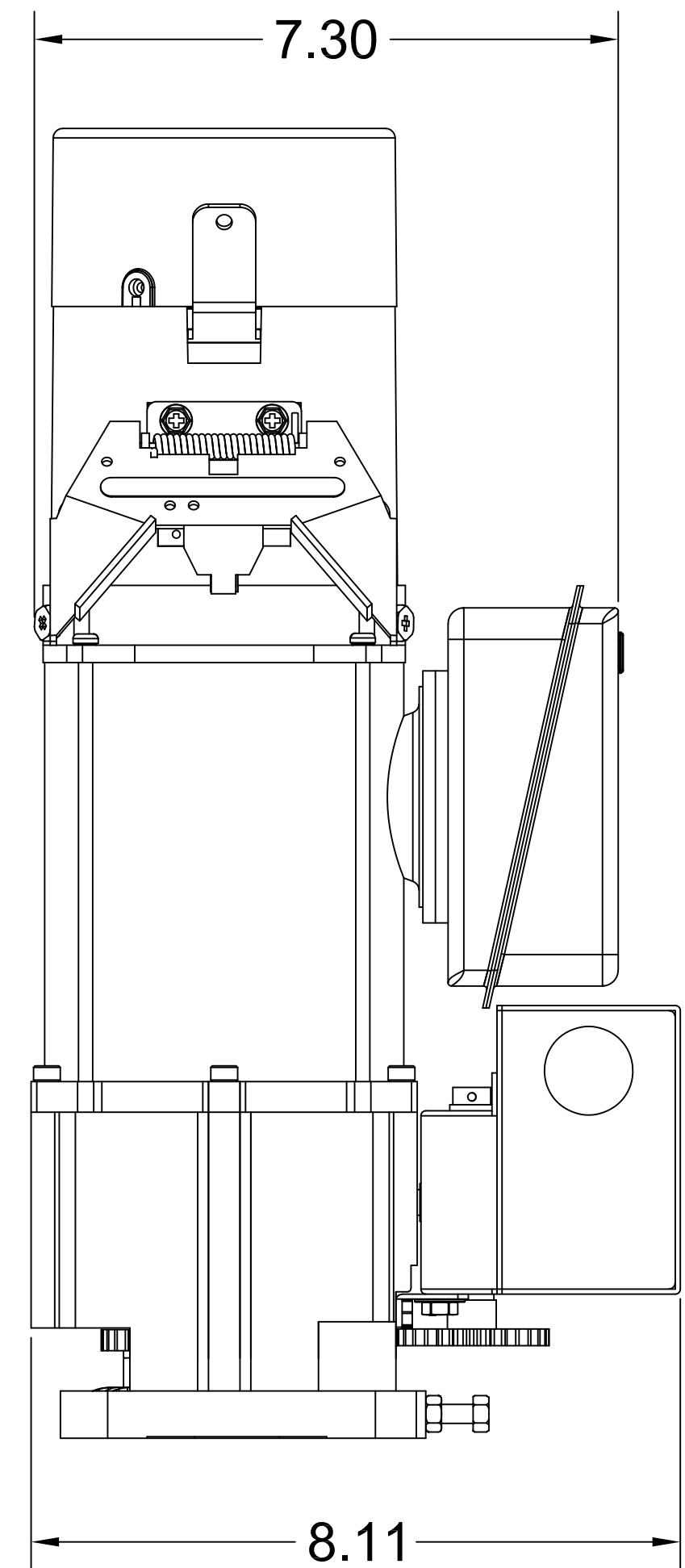
BOTTOM VIEW



FRONT VIEW



BACK VIEW



TOP VIEW

**(VFOH) 1/2 H.P. COMMERCIAL DOOR OPERATOR
(MOUNTING PLATE NOT SHOWN)**

		300 WINDSOR DR. OAK BROOK, IL 60523 PHONE: (630) 418-6516 FAX: (630) 516-7059	
		LIFTMASTER (CHAMBERLAIN GROUP, INC.) ENGINEERED SERVICES	
DRW. BY: B. MOFFETT	REVISION:	SHEET NO: 1/1	
DATE: 02/26/2020	SCALE: NTS		
TITLE: LIFTMASTER (VFOH) OPERATOR UNIT			
CAD FILE: -			