



# TROLLEY

## Industrial-Duty Commercial Door Operator

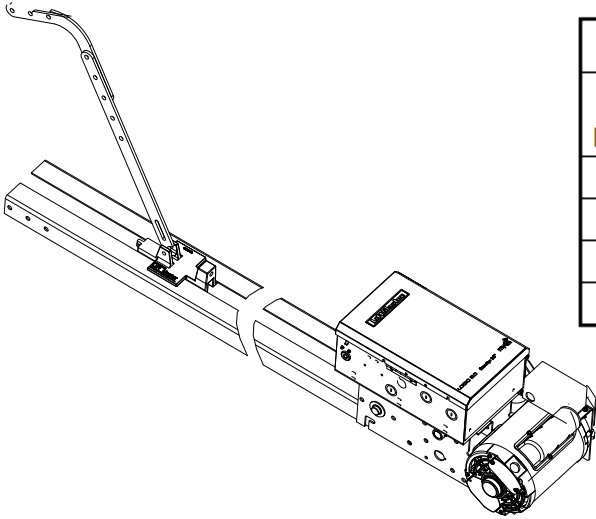
Customer \_\_\_\_\_

Project \_\_\_\_\_

Architect/Engineer \_\_\_\_\_

Contractor \_\_\_\_\_

Drawing Number \_\_\_\_\_ Date \_\_\_\_\_ Sheet \_\_\_\_\_ of \_\_\_\_\_



<b>* OPERATOR AMPERAGE RATING (max. A)</b>					
<b>HORSE POWER</b>	<b>VOLTAGE/PHASE ( all 60Hz)</b>				
	<b>115/1Ø</b>	<b>230/1Ø</b>	<b>208-230/3Ø</b>	<b>460/3Ø</b>	<b>575/3Ø</b>
<b>1/3</b>	8.5	4.2	3	1.5	1.3
<b>1/2</b>	11.2	5.6	3.1	1.75	1.4
<b>3/4</b>	13.6	6.8	4	2	1.6
<b>1</b>	16	8	6	3	1.8

\* Operator Amperage Rating (max. A) includes the total current draw of the motor, control box and accessories that are powered by the operator. These Amperage Ratings agree with the UL Report.

### Specifications

1) Supply quantity \_\_\_\_\_ ( \_\_\_\_\_ ) LiftMaster Operator(s) Model Number \_\_\_\_\_

\_\_\_\_\_ HP, \_\_\_\_\_ Volts, \_\_\_\_\_ Phase, \_\_\_\_\_ Hertz \_\_\_\_\_

2) For \_\_\_\_\_ wide x \_\_\_\_\_ high sectional door(s)

3) Supply \_\_\_\_\_ ( \_\_\_\_\_ ) OPEN/CLOSE/STOP control station(s) in NEMA \_\_\_\_ enclosure per operator

4) Supply auxiliary and optional equipment as specified below (one per operator unless otherwise noted)

### Notes:

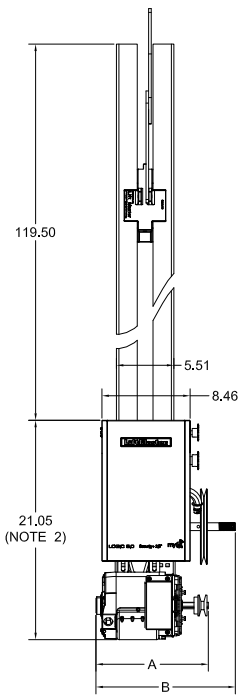
1) Refer to Model T Product Guide for general information at LiftMaster.com

2) Refer to operator installation manual for wiring diagram

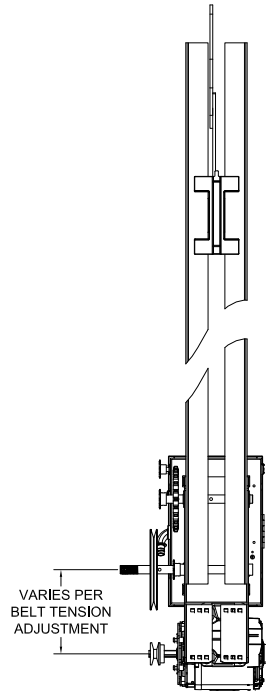


# TROLLEY

## Industrial-Duty Commercial Door Operator



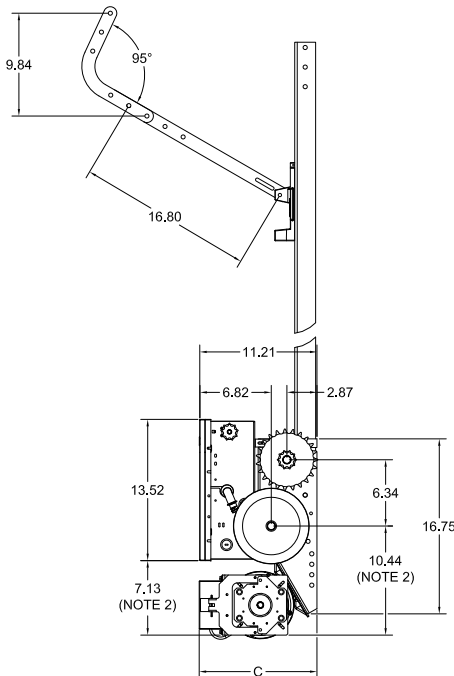
FRONT



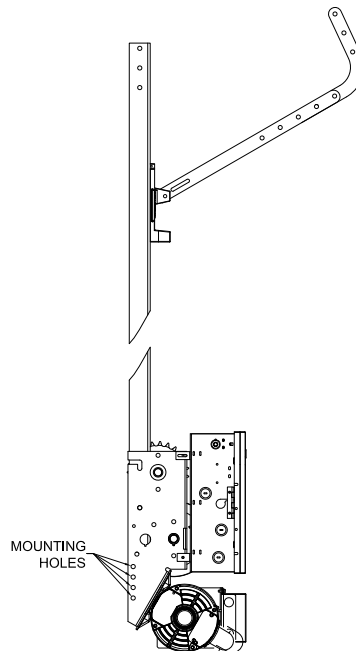
BACK

OPERATOR DIMENSION TABLE				
HP	PHASE	DIMENSIONS		
		A	B	C
1/2	1	10-3/4"	13-3/8"	(NOTE 2)
3/4	1	11-9/32"	13-27/32"	(NOTE 2)
1	1	11-29/32"	14-15/16"	(NOTE 2)
1/2	3	11-5/16"	13-15/16"	(NOTE 2)
3/4	3	11-5/16"	13-15/16"	(NOTE 2)
1	3	11-5/16"	13-15/16"	(NOTE 2)

NOTE: DIMENSIONS A, B & C MAY VARY PER MOTOR MANUFACTURER SPECIFICATIONS, REVISIONS AND SPECIAL MODIFICATIONS TO THE OPERATOR.  
 2. DIMENSION WILL VARY PER BELT TENSION ADJUSTMENT; APPROX. "C" DIMENSION IS 12 1/4".  
 3. AVAILABLE TRACKS ACCOMMODATE DOORS 8-24 FEET IN HEIGHT.



RIGHT

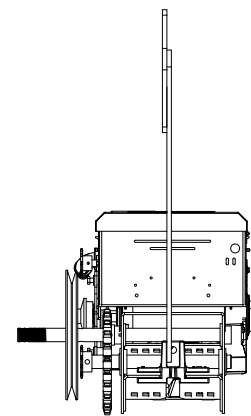


LEFT

### MODEL T

Hanging Weight:

80 - 110 lbs. (based on HP)



TOP

ISO 9001:2015  
Certified



FCC/IC  
Certified