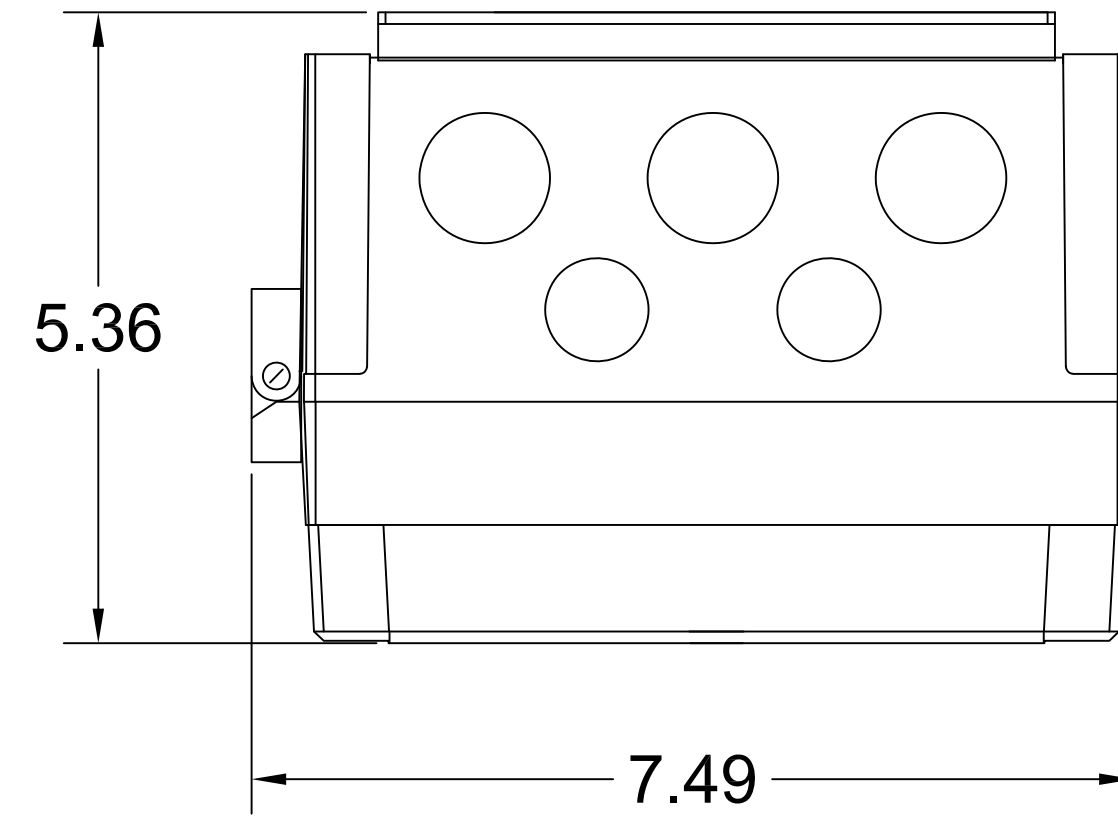
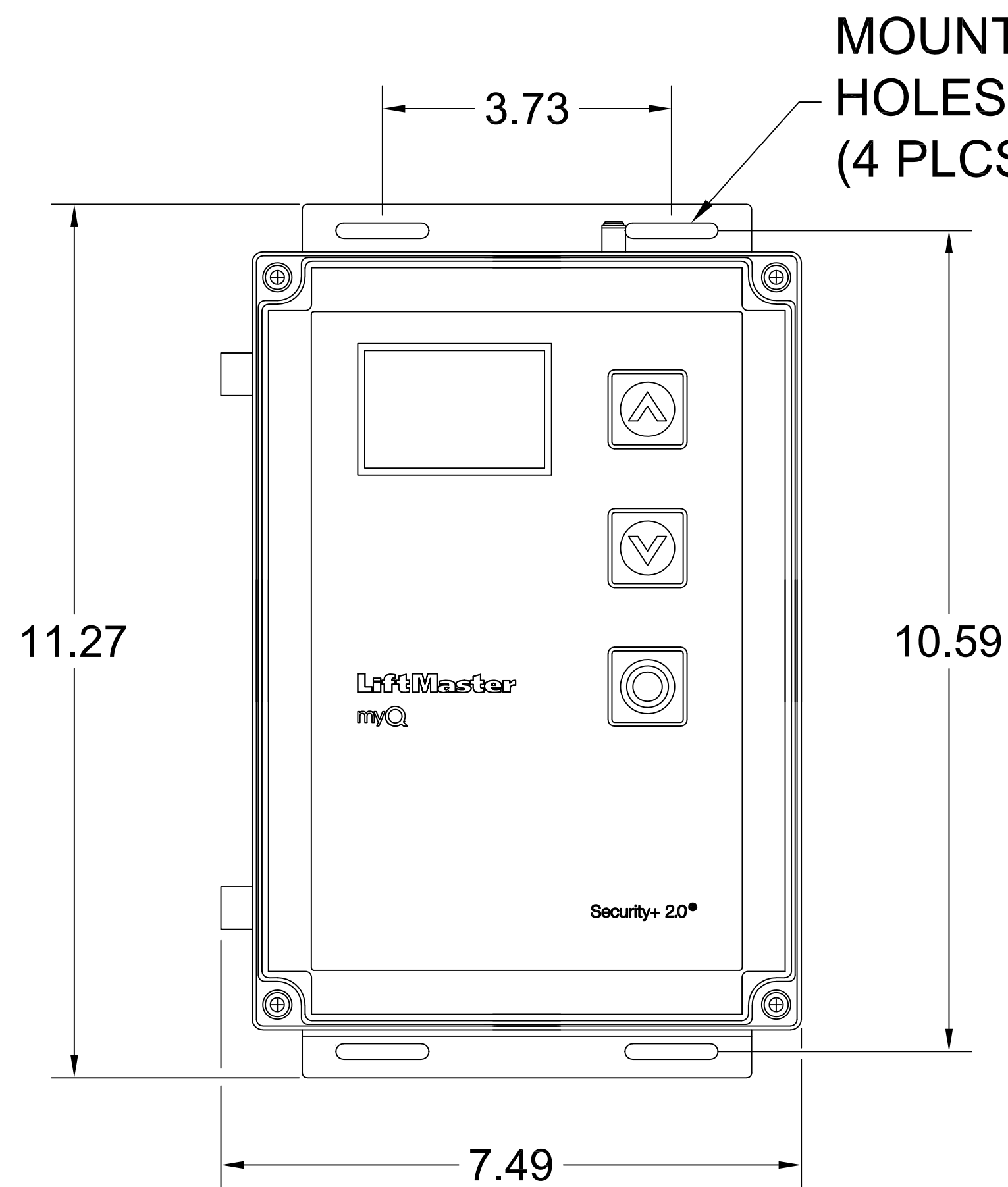


TOP VIEW

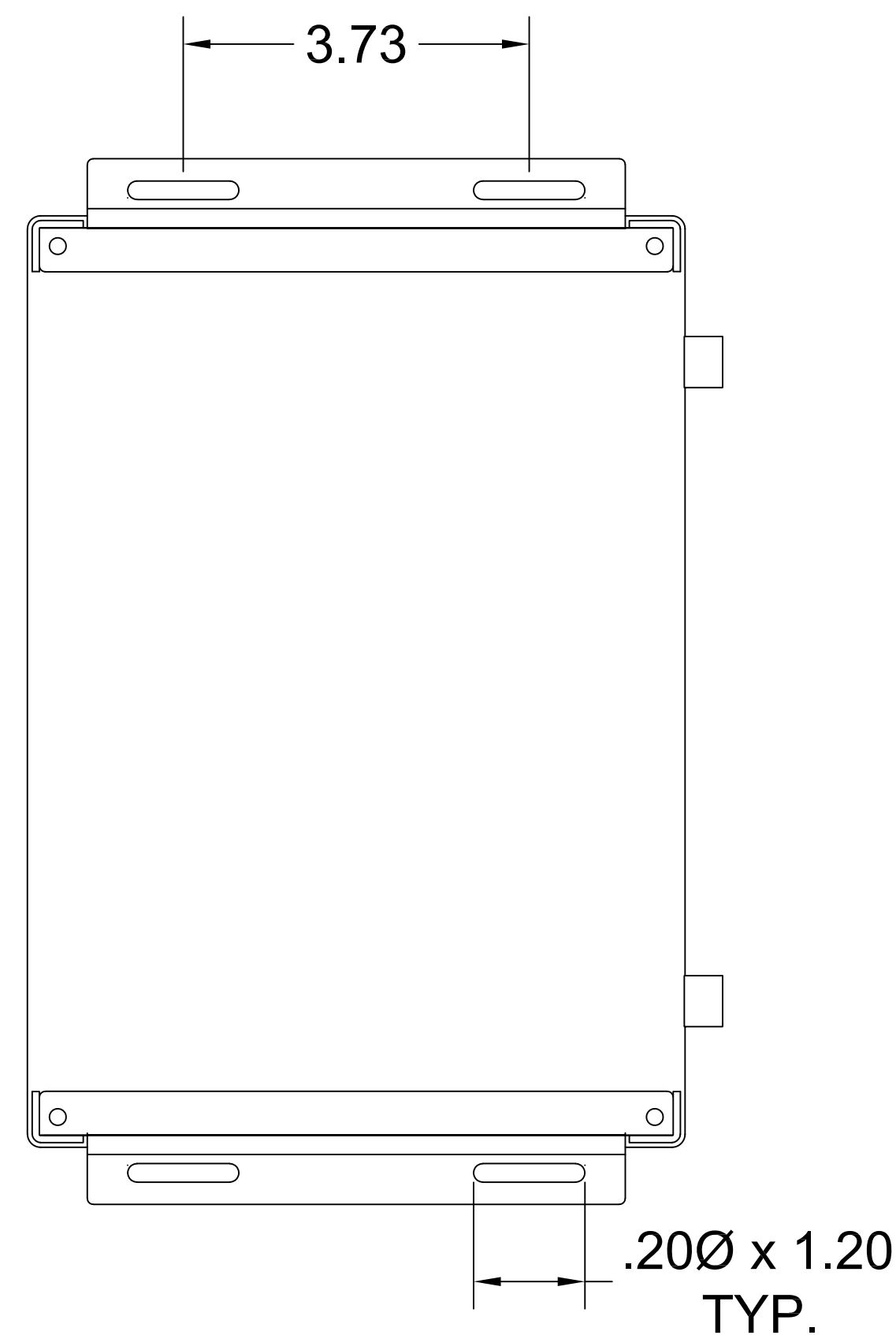


BOTTOM VIEW

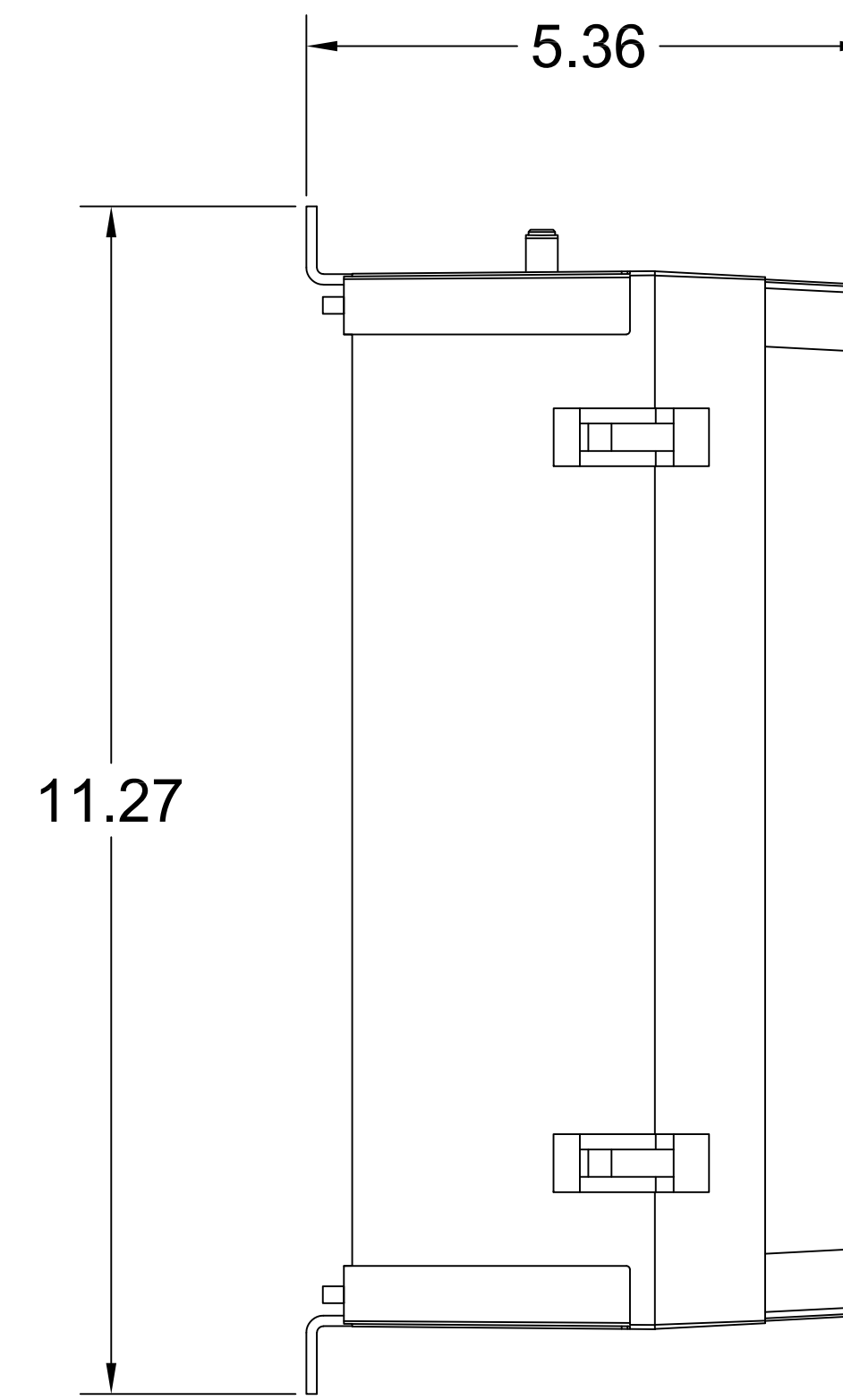


FRONT VIEW

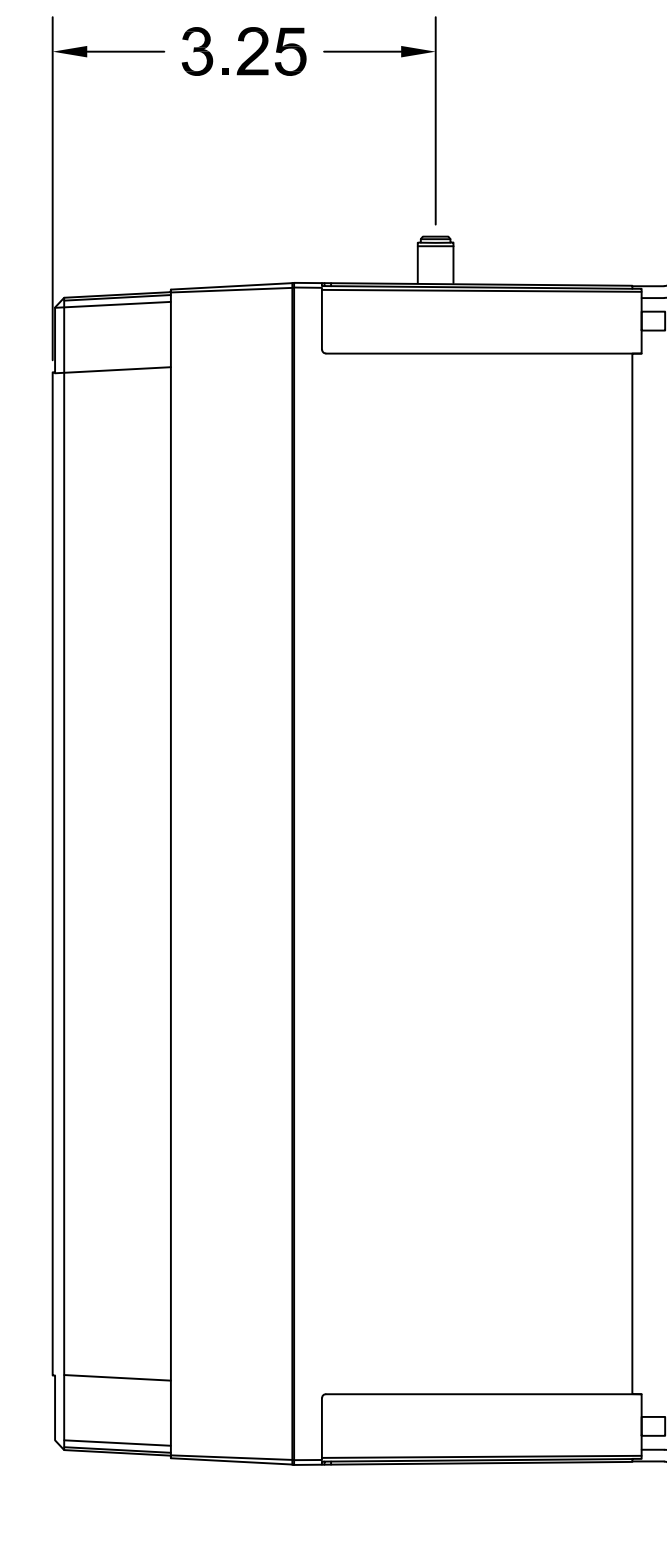
MOUNTING HOLES (4 PLCS.)



BACK VIEW



LEFT VIEW



RIGHT VIEW

(VFOH) CONTROLLER UNIT

		300 WINDSOR DR. OAK BROOK, IL 60523 PHONE: (630) 418-6516 FAX: (630) 516-7059
DRW. BY: B. MOFFETT	REVISION: 1	SHEET NO: <b>1/1</b>
DATE: 05/4/2020	SCALE: NTS	
TITLE: LIFTMASTER (VFOH) CONTROLLER		
CAD FILE: -		