

VARIABLE SPEED FRONT OF HOOD (VFOH)

COMMERCIAL DOOR OPERATOR

VARIABLE SPEED APPLICATIONS

FRONT OF HOOD MOUNT
for Rolling Steel Doors
and Grilles

SPEED FLEXIBILITY
Variable Speed Options up to 12"/sec.
with Smooth Start/Stop Feature

FLOOR-LEVEL CONTROLS
Intuitive Setup via Menu on
LCD Screen Also Provides
Functional User Interface

myQ[®] business™

SMART

myQ[®] BUSINESS™ FACILITY PROVIDES MONITORING, CONTROL AND PRODUCTIVITY DATA OF YOUR COMMERCIAL DOORS.

EYE-LEVEL DIAGNOSTIC MESSAGES ON LCD SCREEN MAKE IT EASY TO SERVICE.

REAL-TIME ALERTS INDICATE THE STATUS OF DOORS VIA EMAIL WHEN CONNECTED TO myQ BUSINESS.

CONNECTIVITY REQUIRES PURCHASE OF myQ BRIDGE (819LMB) OR INTERNET GATEWAY (828LM), SOLD SEPARATELY.

SAFE AND SECURE

TIMER-TO-CLOSE CAN BE PROGRAMMED TO CLOSE THE DOOR AFTER A SET AMOUNT OF TIME.

SAFEGUARDS FACILITY ACCESS WITH ROLLING CODE TECHNOLOGY, OPENING FOR REGISTERED DEVICES ONLY.

THE COMMERCIAL PROTECTOR SYSTEM[®] AUTO-REVERSES THE DOOR IF AN ENTRAPMENT PROTECTION DEVICE DETECTS AN OBSTRUCTION.

UL[®] 325 REQUIRES ALL COMMERCIAL DOOR OPERATORS TO BE EITHER CONSTANT PRESSURE TO CLOSE OR BE EQUIPPED WITH A PRIMARY EXTERNAL MONITORED ENTRAPMENT DEVICE.

RELIABLE

INVERTER-DUTY MOTOR WITH VFD DRIVE PERFORMS IN DEMANDING VARIABLE-SPEED ROLLING-DOOR APPLICATIONS.

WARRANTY: 2 YEARS.

VARIABLE FREQUENCY DRIVE TECHNOLOGY FOR MINIMIZED WEAR AND TEAR ON THE DOOR, REDUCING REPAIR AND MAINTENANCE COSTS WHILE INCREASING OPERATIONAL PRODUCTIVITY.

MONITORED ENTRAPMENT PROTECTION:

COMMERCIAL PHOTO EYES

Indoor use; NEMA 1 rated;
max. range: 30 ft.



CPS-U

RETRO-REFLECTIVE PHOTO EYE

Photo eye and reflector with polarized beam; indoor/outdoor use; NEMA 4X rated; max. range: 50 ft.



CPS-RPEN4

DUAL-SIDED PHOTO EYES

Flexible rubber housings resist water spray and corrosion; indoor/outdoor use; NEMA 4X rated; max. range: 45 ft.



CPS-OPEN4

COMMERCIAL PROTECTOR SYSTEM

Heavy-duty industrial housings; indoor/outdoor use; NEMA 4 rated; max. range: 45 ft.



CPS-UN4

OPTICAL EDGE SYSTEM

Infrared optical sensors in a customizable rubber enclosure are protected against water; indoor/outdoor use; NEMA 6 rated; max. range: 33 ft.



OES

NON-MONITORED ENTRAPMENT PROTECTION:

LIGHT CURTAIN

Provides 36 inches of increased zone coverage for additional protection; NEMA 4 rated; max. range: 33 ft.



LC-36A

TOTAL SOLUTION ACCESSORIES:

ENCRYPTED DIP 3-BUTTON REMOTE CONTROL

Extreme-range remote programmable for open/close/stop operation.



813LM

myQ BRIDGE

Enables monitoring and control of up to 16 operators via Wi-Fi[®].



819LMB

RED/GREEN TRAFFIC LIGHT

High-intensity LED lights indicate the door status for safe exit and entry in any light.



RGL-CTL

LiftMaster[®] offers accessory solutions for any commercial application. View the full product lineup at LiftMaster.com.

MASTERFUL ENGINEERING.

MOTOR / DRIVE



- Available in 1/2 HP
- Overheating Thermal Protection
- Inverter-Duty Rated Motors
- High-Efficiency Gear Box for Greater Duty Cycle
- Drive Reduction: Gearbox, #50 Output Sprocket Chain
- Low Profile; Maximum 15 Inches for Front of Hood Mounting
- Solenoid Brake Standard
- Duty Cycle: Up to 200 Cycles a Day

POWER



- Single Phase: 115V and 230V
- 3-Phase: 230V
- 3-Phase: 460V and 575V (Available with Separate Stepdown Transformer Included)
- NEC Class 2 Control Voltage for Field Wiring

COMMERCIAL CONTROLS



- Floor-Level Commissioning (Operating Modes)
- Floor-Level Field Wiring
- Liquid Crystal Display to Display Menu and Diagnostics
- Configurable Speed in Up and Down Door Direction: Slow, Medium, Fast
- Cycle Counter Standard

STANDARD SPECS.

myQ® RADIO ON 900 MHz PROVIDES 2-WAY COMMUNICATION WITH myQ BUSINESS™

SECURITY+ 2.0® RADIO RECEIVER

ACCEPTS:

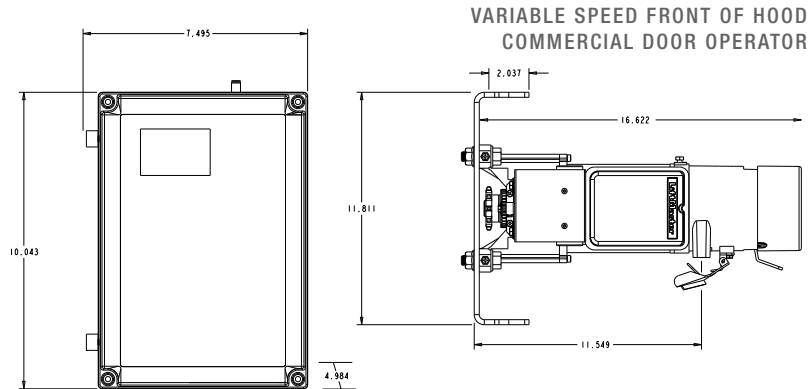
- (30) 3-Button Remote Controls or (90) 1-Button Remote Controls
- Additional 30 Wireless Keypads
- Unlimited DIP Switch Remotes

OPERATION MODES

- Menu Selection for Operator Type and Operational Modes to Meet Client Needs
- Operational Modes B2, T and TS Can Be Selected with the Addition of a LiftMaster® Entrapment Protection Device
- C2 (Constant Pressure to Close) Operational Mode Default
- LiftMaster Monitored Entrapment Protection Is Recommended When Using C2 Operational Mode

CONSTRUCTION

- NEMA 1 Motor/Drive Train; NEMA 4 Control Panel** (**When Using Appropriate N4 Conduit and Wire Fittings)
- VFD Cable Has an Industrial-Grade Jacket with Enhanced Shielding, Designed for Harsh Environments; No Additional Conduit Needed
- Open Mid-Stop Enables Partial Openings to a Set Position for Environmental Control and Time Savings
- 41 ft. VFD and Encoder Cables Available for Taller Doors



VARIABLE SPEED FRONT OF HOOD
COMMERCIAL DOOR OPERATOR

SYSTEM SELECTION GUIDES

DEFAULT SPEED

		Door Height						
		Weight [lbs.]	10'	12'	14'	16'	18'	20'
3/4" Curtain Thick	300	1/2 HP Default						
	500							
	800							
	1,050							
	1,200							
	1,350							
	1,560							
	1,750							
1,860	Not Recommended							
2,000								

HIGHER SPEED

		Door Height						
		Weight [lbs.]	10'	12'	14'	16'	18'	20'
3/4" Curtain Thick	300	1/2 HP Default						
	500							
	800							
	1,050							
	1,200							
	1,350							
	1,560							
	1,750							
1,860	Not Recommended							
2,000								

Please visit LiftMaster.com/VariableSpeed for additional specifications, selection guides and dimensioned drawings.

SHIPPING.

- (1) Powerhead (with 16.5 ft. Integrated Hoist Chain)
- (1) Controller
- (1) Powerhead Mounting Bracket with Hardware
- (1) VFD Cable (22 ft. Standard)
- (1) Encoder Cable (22 ft. Standard)
- (1) #50 Drive Chain
- (1) 40-Tooth Sprocket
- (1) LiftMaster Monitored Entrapment Protection (CPS-U Standard)

CARTON DIMENSIONS

Carton (1/2 HP System)
34.69" L x 13.81" W x 17.06" H

Carton (Transformer Shipped with 575V Models*)
14" L x 8" W x 8.5" H