


APPLICATION REQUIREMENTS:

Replacement of Electrical Box and/or its components for a Grey Line Model H & J Operators.


WARNING

BEFORE BEGINNING, ENSURE REPLACEMENT ELECTRICAL BOX IS OF THE SAME POWER REQUIREMENTS AS EXISTING INCOMING POWER.


WARNING

DISCONNECT POWER AT THE FUSE BOX BEFORE PROCEEDING. IF NECESSARY REMOVE THE OPERATOR FROM ITS MOUNTED POSITION.

INSTALLATION INSTRUCTIONS

NOTE: Refer to the Owner's Manual supplied with the operator for all mounting and wiring instructions. You will be required to reset limit nuts after installation.

REMOVE EXISTING MOTOR WIRES/CONDUIT:

Disconnect the Motor wires from the electrical box and the motor. Discard Motor wires, conduit and connectors.

REMOVE EXISTING BOX:

Remove the master link from the limit chain, remove the chain and discard.

Remove the four flanged hex screws securing the electrical box tabs to the motor frame and discard, carefully remove electrical box.

MODIFYING EXISTING MOTOR PLATE:

Locate the #10-32 Tapped Hole 1-3/4" from the end of the motor mounting frame. Drill a #21 Drill .159" Dia. Hole 7-3/4" from the hole just located. Repeat same steps on opposite side. (See Figure 1).

MOUNTING NEW ELECTRICAL BOX:

Place the electrical box on the motor plate, aligning the tabs on the box with the holes just located in the step above (See Figures 1 & 2). Attach the new electrical box using the (4) screws provided. Do not tighten screws at this time.

Install the new limit chain and secure with master link. Slide the electrical box in its slots until most of the slack in the limit chain is picked up, being careful not to over-tighten chain. Secure the electrical box to the new motor plate by tightening the hex screws.

INSTALL NEW MOTOR WIRES/CONDUIT:

Connect the new conduit with the new motor wires to the motor and the electrical box. Be sure that the end with the stripped ends is going to the motor. Refer to the wiring diagrams supplied for connections. It may be necessary to remove unused wires from the conduit assembly depending on if a brake is used and phase.

FIGURE 1

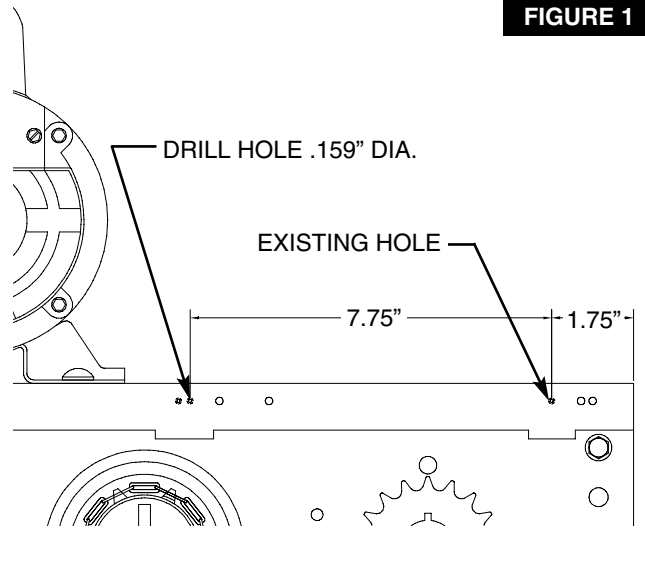


FIGURE 2

