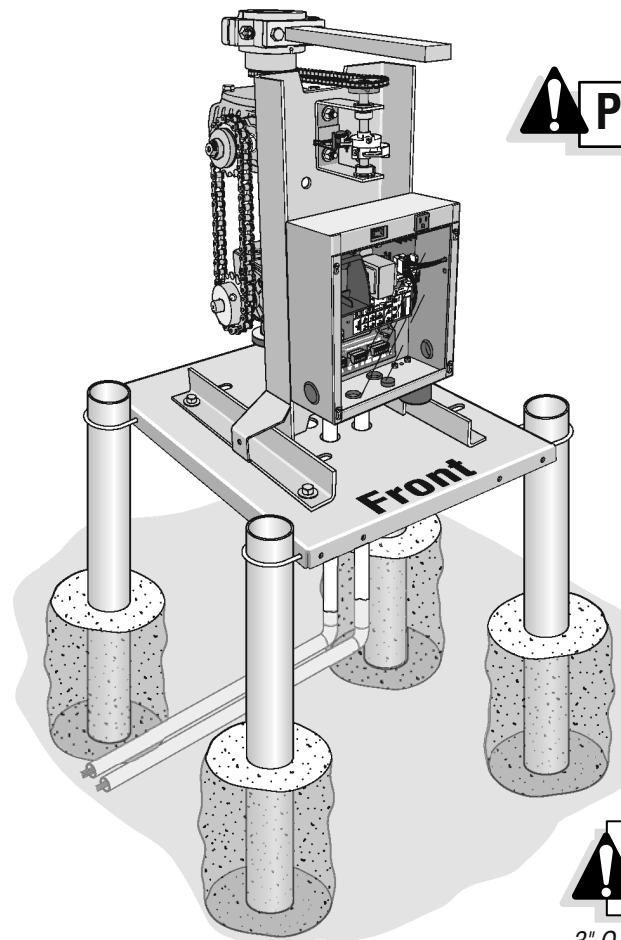


Type 1

3" Posts mounted on Outside



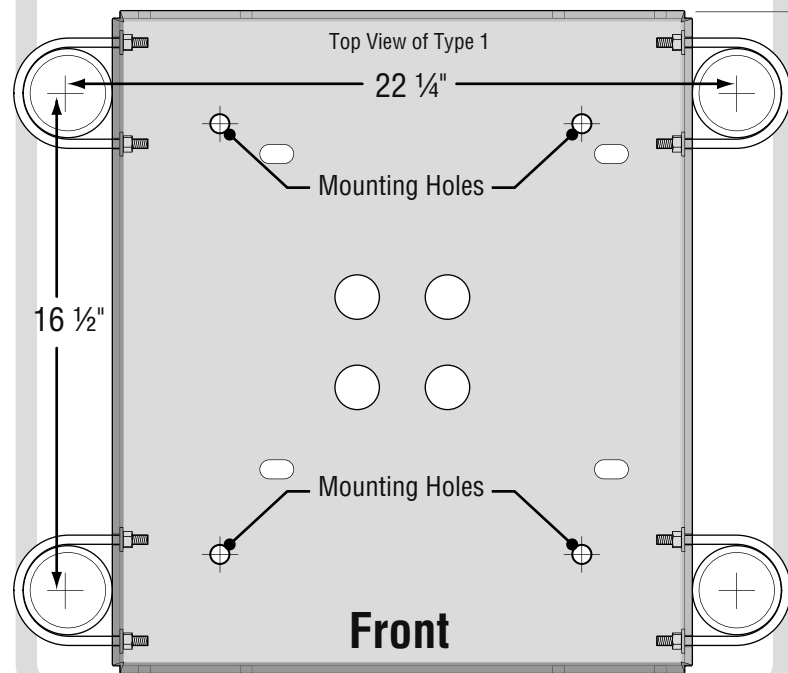
! Plate *MUST* be Level!

Cement posts in place. Depth of posts determined by soil conditions and local codes.

Power and control wiring should be run in separate conduits.

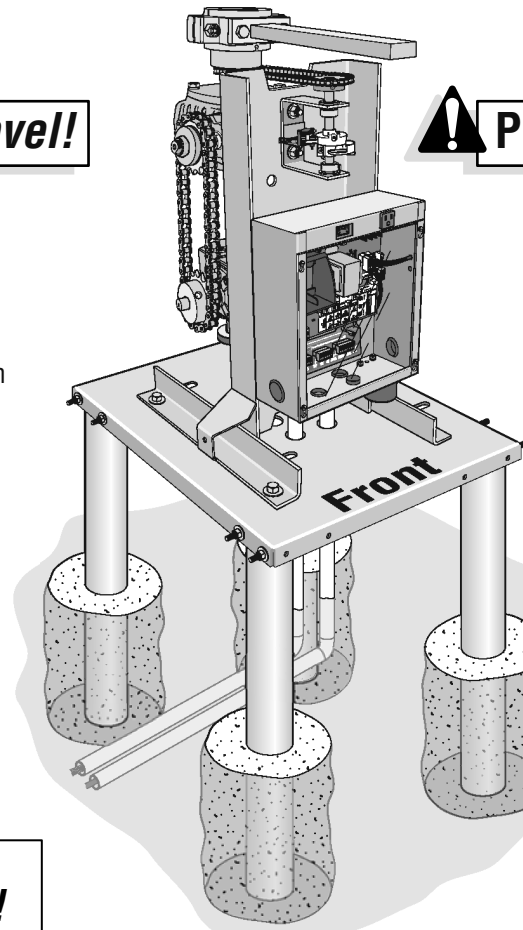
! Distance between posts are *critical!*

3" O.D. Heavy Walled Posts and U-Bolts Not Provided



Type 2

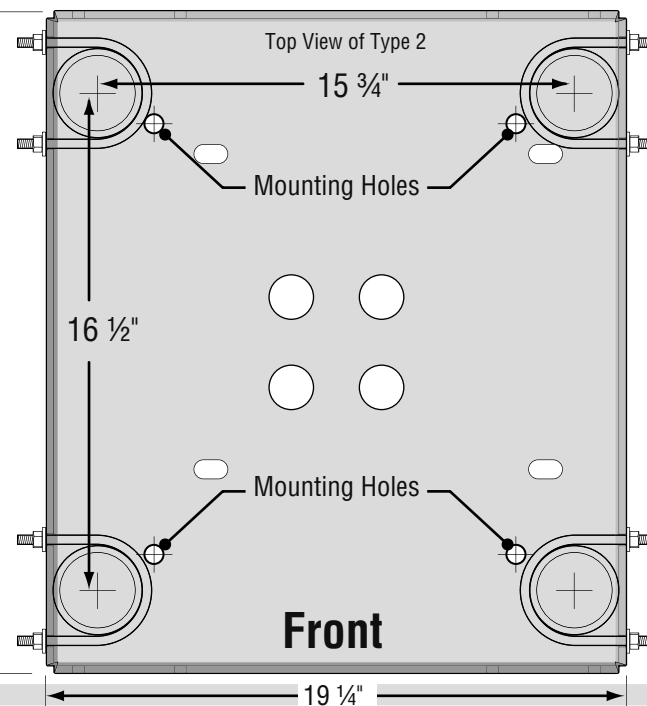
3" Posts mounted on Inside



! Plate *MUST* be Level!

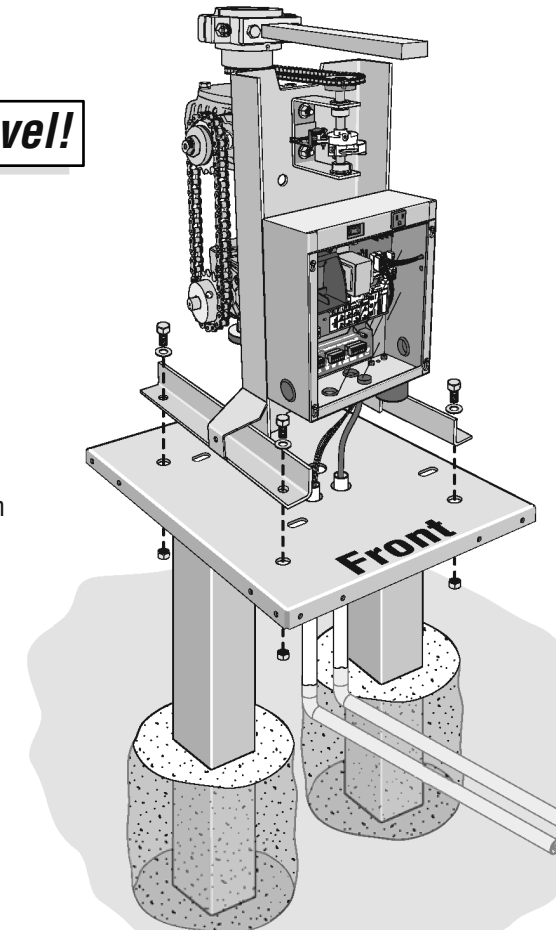
Cement posts in place. Depth of posts determined by soil conditions and local codes.

Power and control wiring should be run in separate conduits.

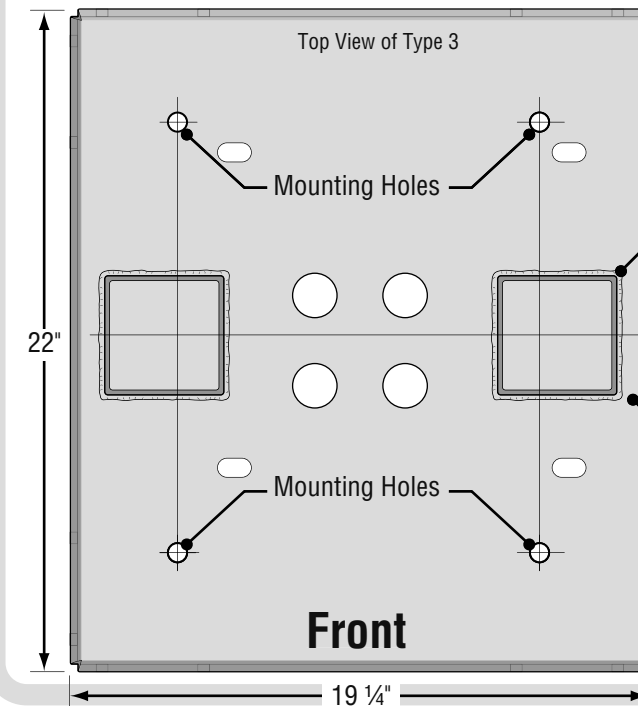


Type 3

4" Square Posts welded on Inside



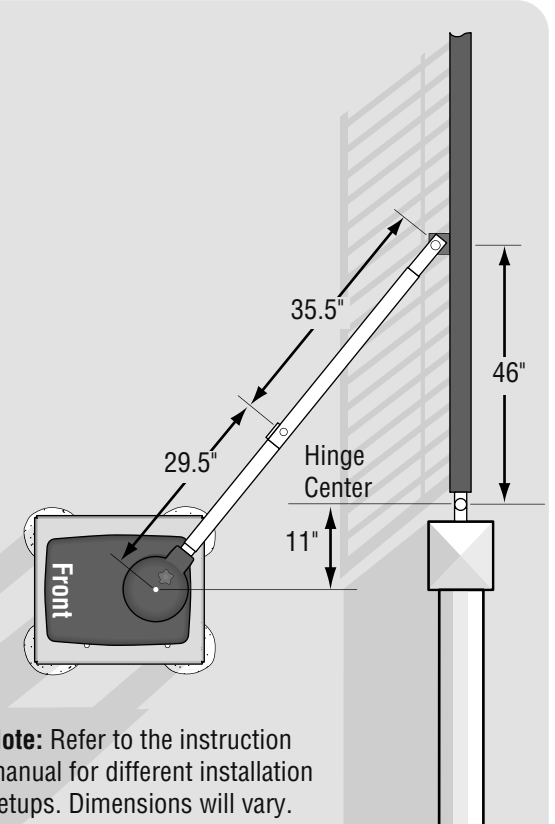
4" O.D. Heavy Walled Square Posts Not Provided



! Weld Completely around posts

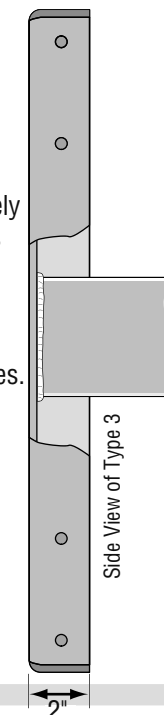
! Center posts between mounting holes.

Keep the posts close to the plate edge.



Note: Refer to the instruction manual for different installation setups. Dimensions will vary.

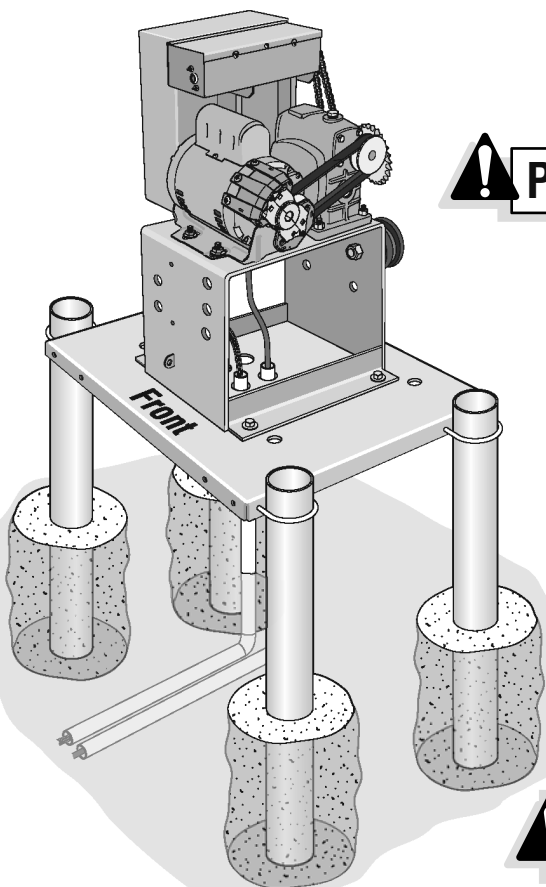
Top View of Typical Standard Installation



! WARNING: This product can expose you to chemicals including lead, which are known to the State of California to cause cancer or birth defects or other reproductive harm. For more information go to www.P65Warnings.ca.gov

Type 1

3" Posts mounted on Outside



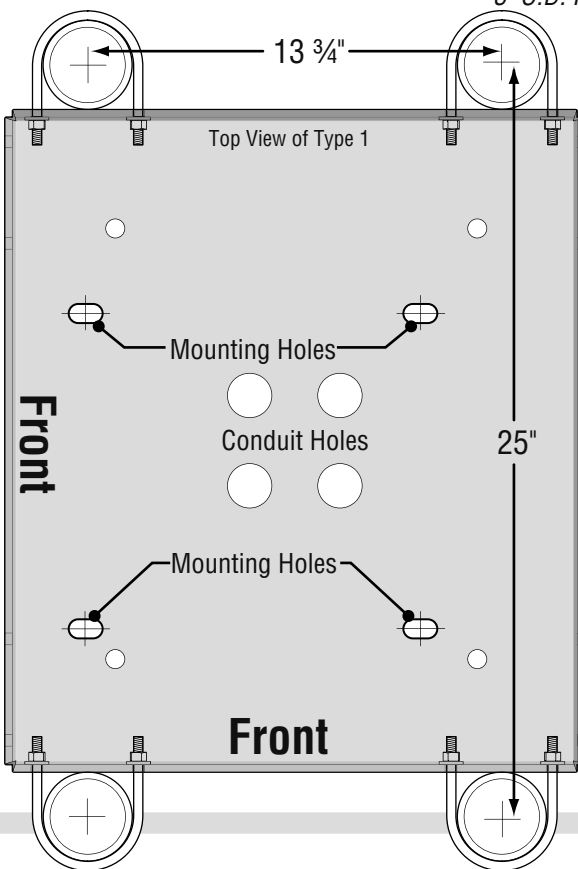
⚠ Plate *MUST* be Level!

Cement posts in place. Depth of posts determined by soil conditions and local codes.

Power and control wiring should be run in separate conduits.

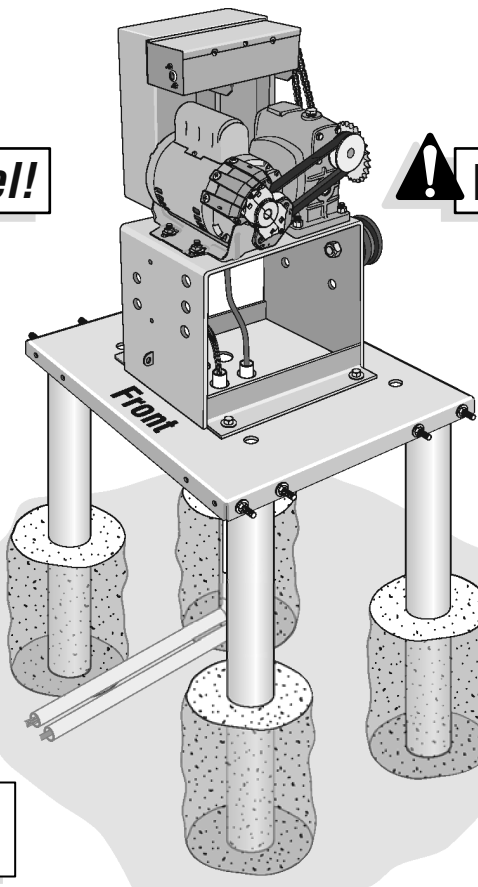
⚠ Distance between posts are *critical!*

3" O.D. Heavy Walled Posts and U-Bolts Not Provided



Type 2

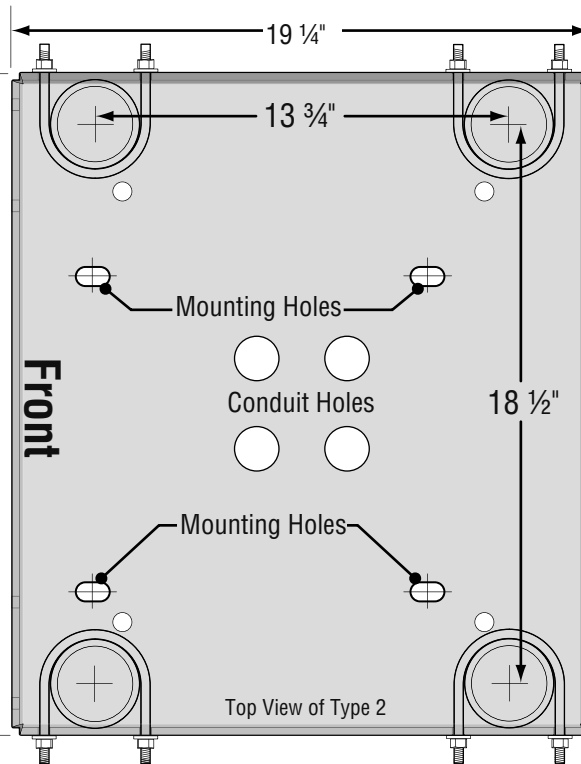
3" Posts mounted on Inside



⚠ Plate *MUST* be Level!

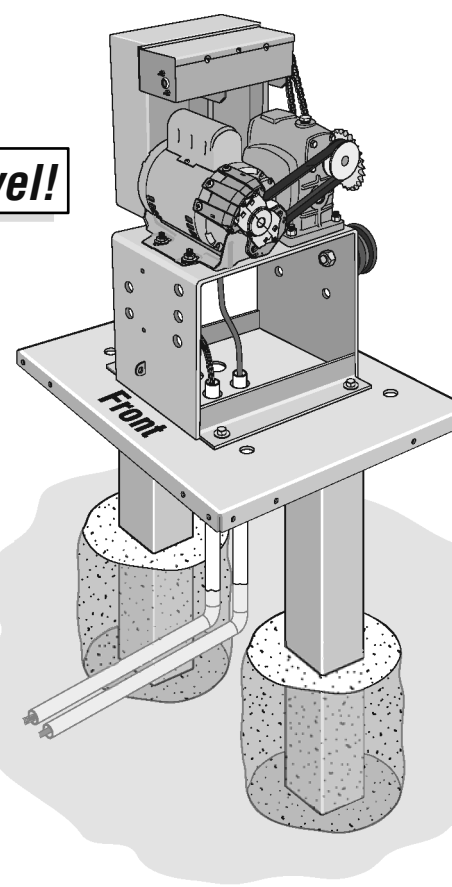
Cement posts in place. Depth of posts determined by soil conditions and local codes.

Power and control wiring should be run in separate conduits.



Type 3

4" Square Posts welded on Inside



⚠ Plate *MUST* be Level!

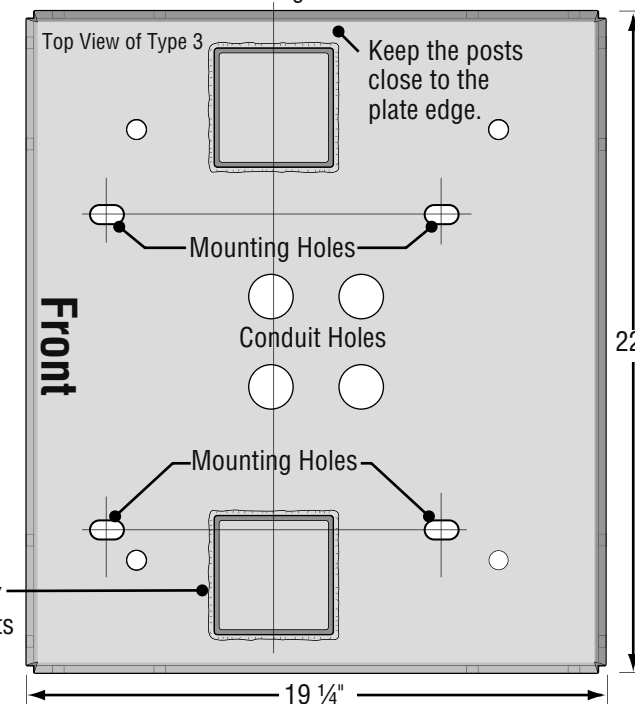
Cement posts in place. Depth of posts determined by soil conditions and local codes.

Power and control wiring should be run in separate conduits.

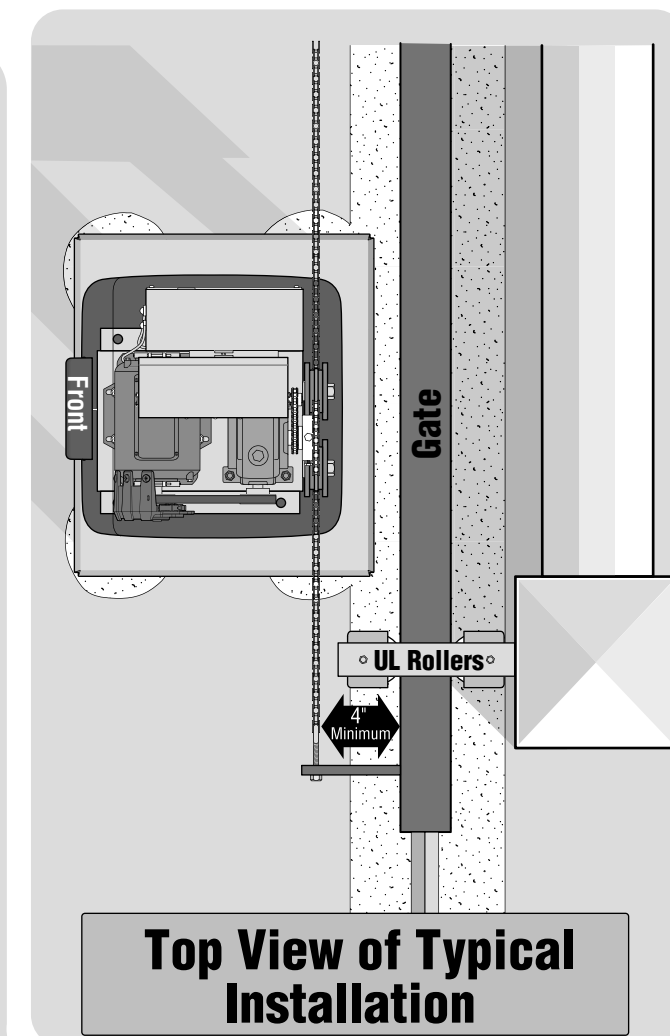
4" O.D. Heavy Walled Square Posts Not Provided



⚠ Center posts between mounting holes.



⚠ Weld *Completely* around posts



Top View of Typical Installation

For Technical Support and Ordering Parts:
1-800-528-2806