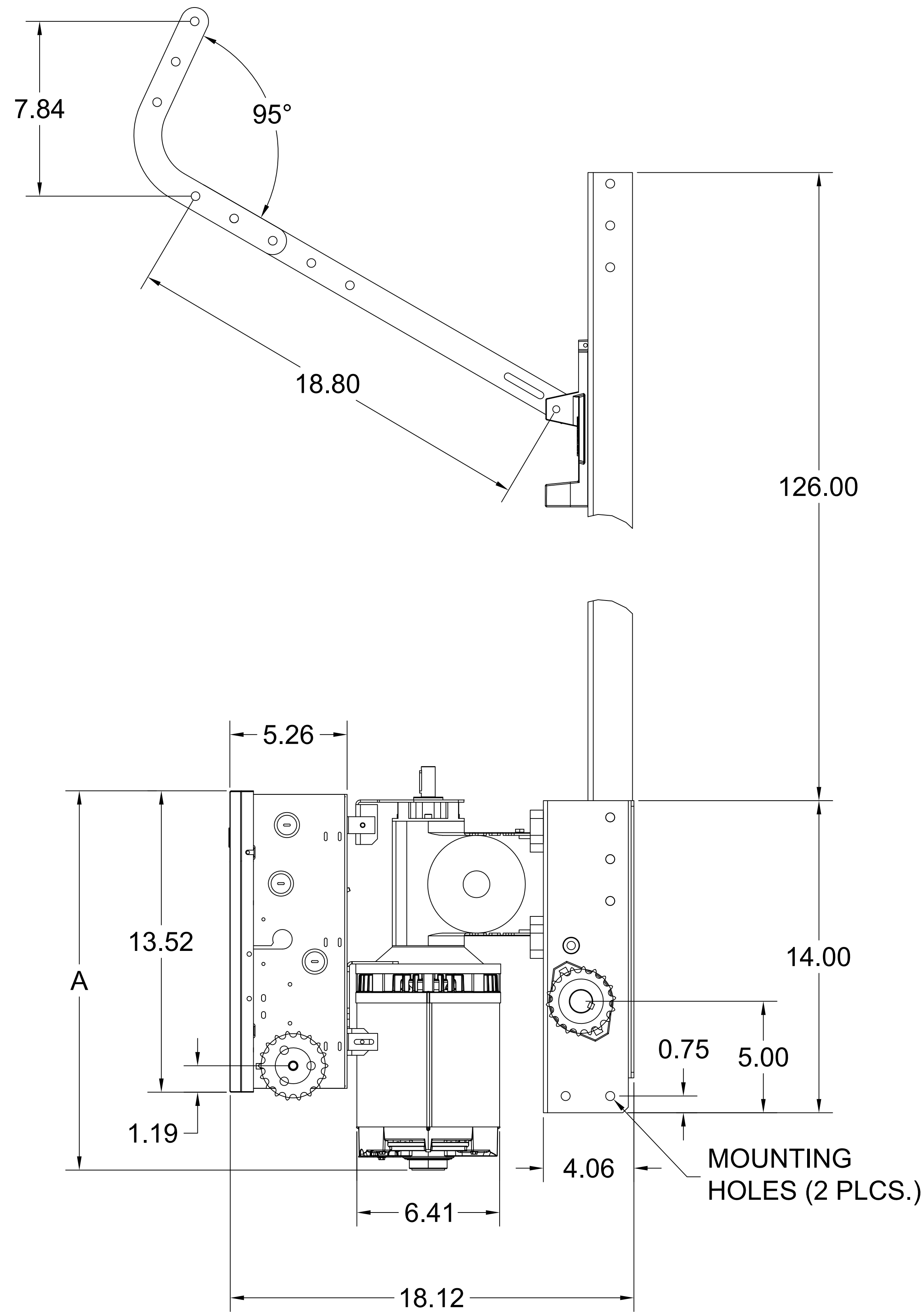


TOP



RIGHT

OPERATOR DIMENSION TABLE

HP	PHASE	DIMENSIONS			
		A	B	C	D
1/2	1	17-1/16"	7-9/16"	4-11/16"	N/A
3/4	1	17-1/2"	8-1/16"	5-3/16"	N/A
1	1	19-1/16"	9-9/16"	6-11/16"	N/A
1-1/2	1	19-1/16"	9-9/16"	6-11/16"	N/A
1/2	3	17-1/16"	7-9/16"	4-11/16"	N/A
3/4	3	17-1/2"	8-1/16"	5-3/16"	N/A
1	3	18-1/16"	8-9/16"	5-11/16"	N/A
2	3	19-1/2"	10-1/16"	7-3/16"	N/A
-	-	-	-	-	-
-	-	-	-	-	-

NOTE: DIMENSIONS A,B & C MAY VARY PER MOTOR MANUFACTURER SPECIFICATION REVISIONS AND SPECIAL MODIFICATIONS TO THE OPERATOR.

LiftMaster

LIFTMASTER (CHAMBERLAIN GROUP, INC.)
ENGINEERED SERVICES

300 WINDSOR DR.
OAK BROOK, IL 60523
PHONE: (630) 418-6516
FAX: (630) 516-7059

DRW. BY: B. MOFFETT

REVISION:

DATE: 9/11/2018

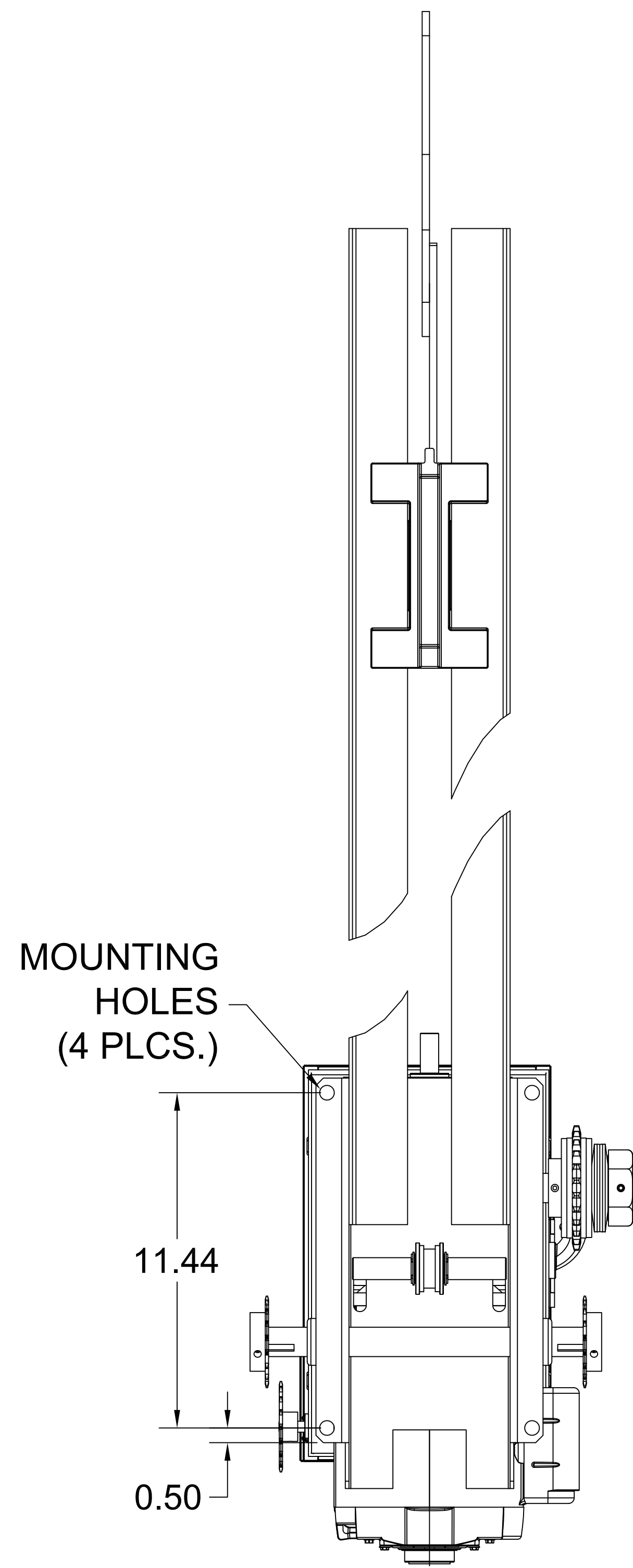
SCALE: NTS

TITLE: LIFTMASTER (GT) OPERATOR UNIT

CAD FILE: -

SHEET NO:

1/3

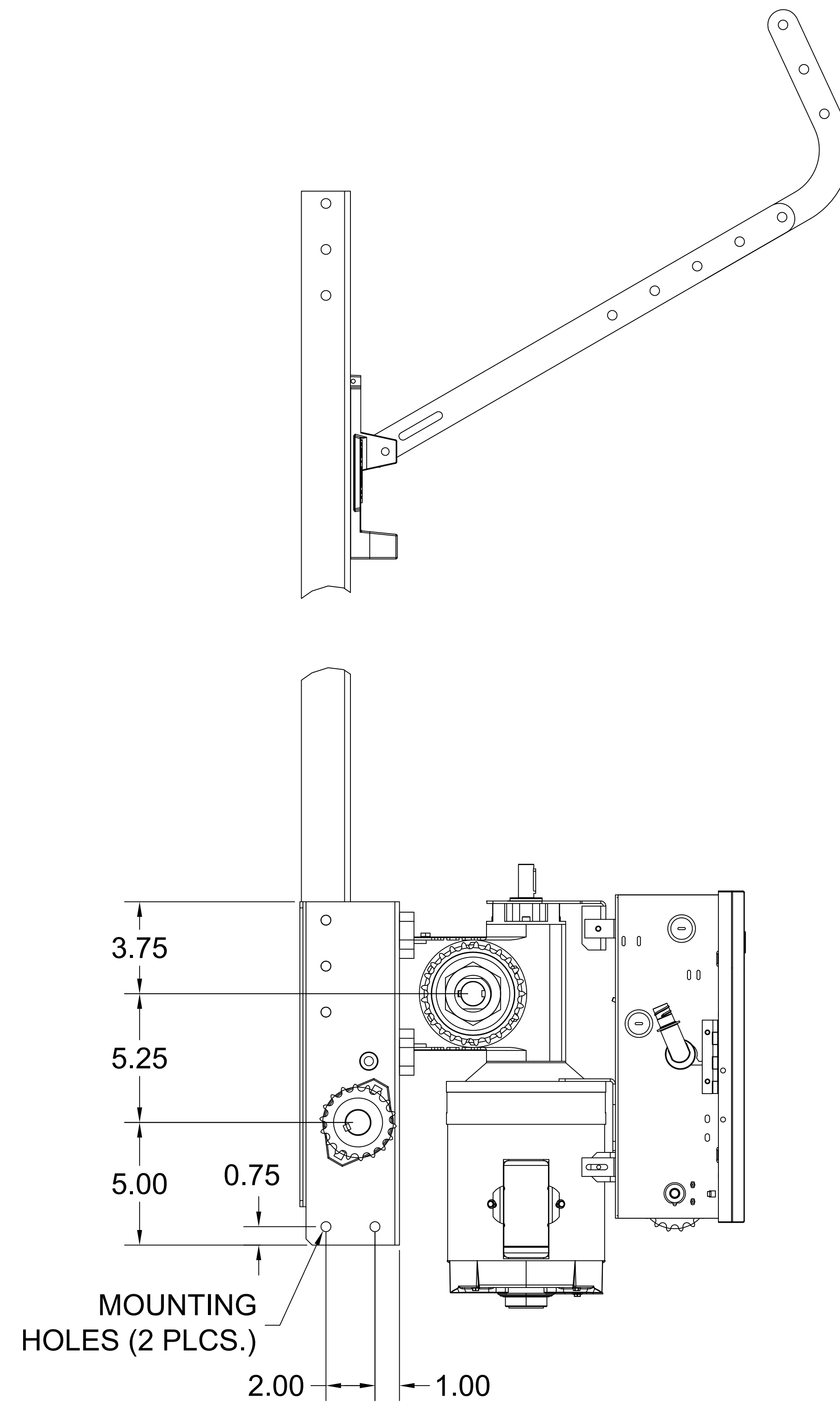


MOUNTING HOLES (4 PLCS.)

11.44

0.50

BACK



MOUNTING HOLES (2 PLCS.)

3.75

5.25

5.00

0.75

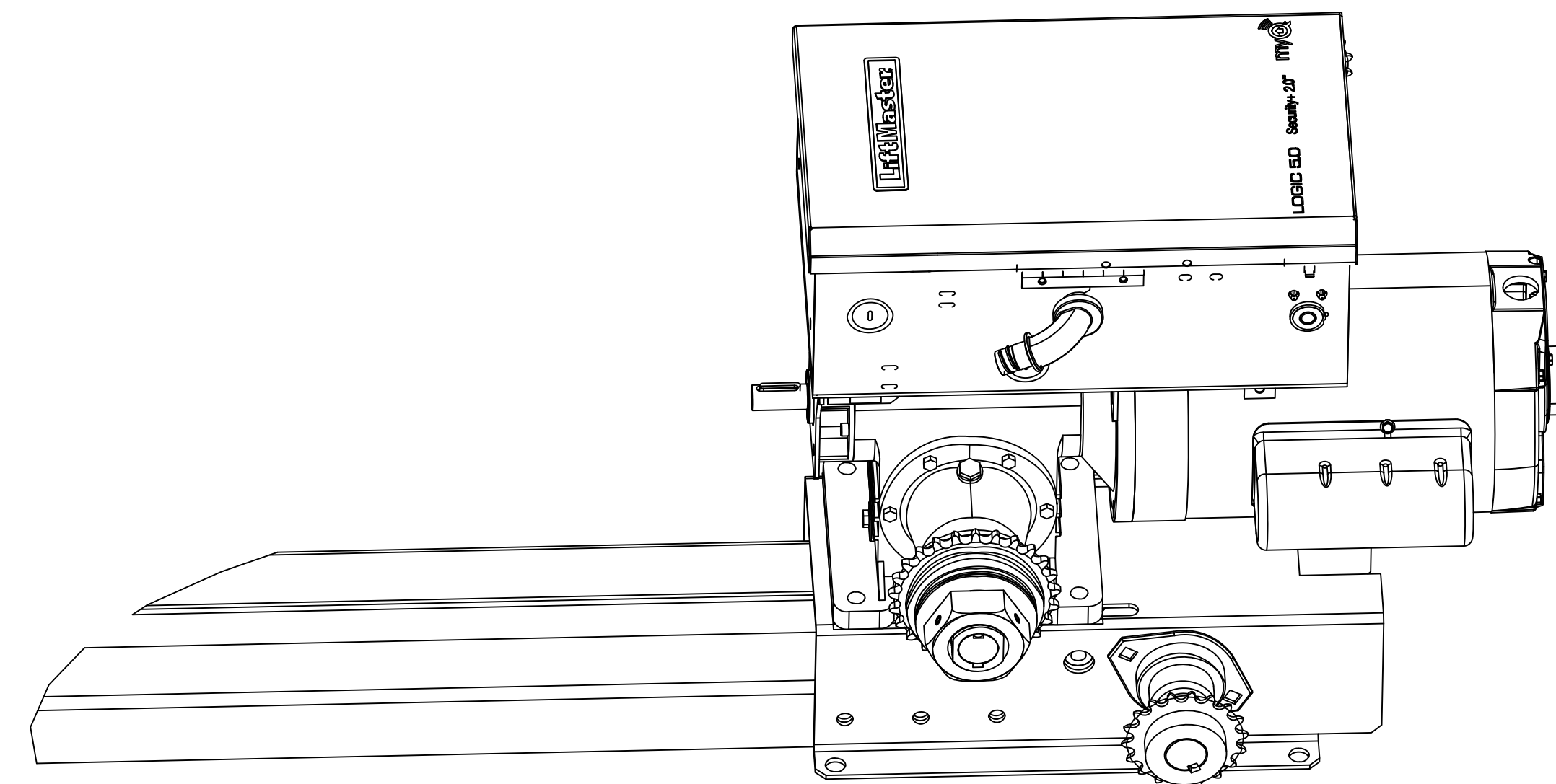
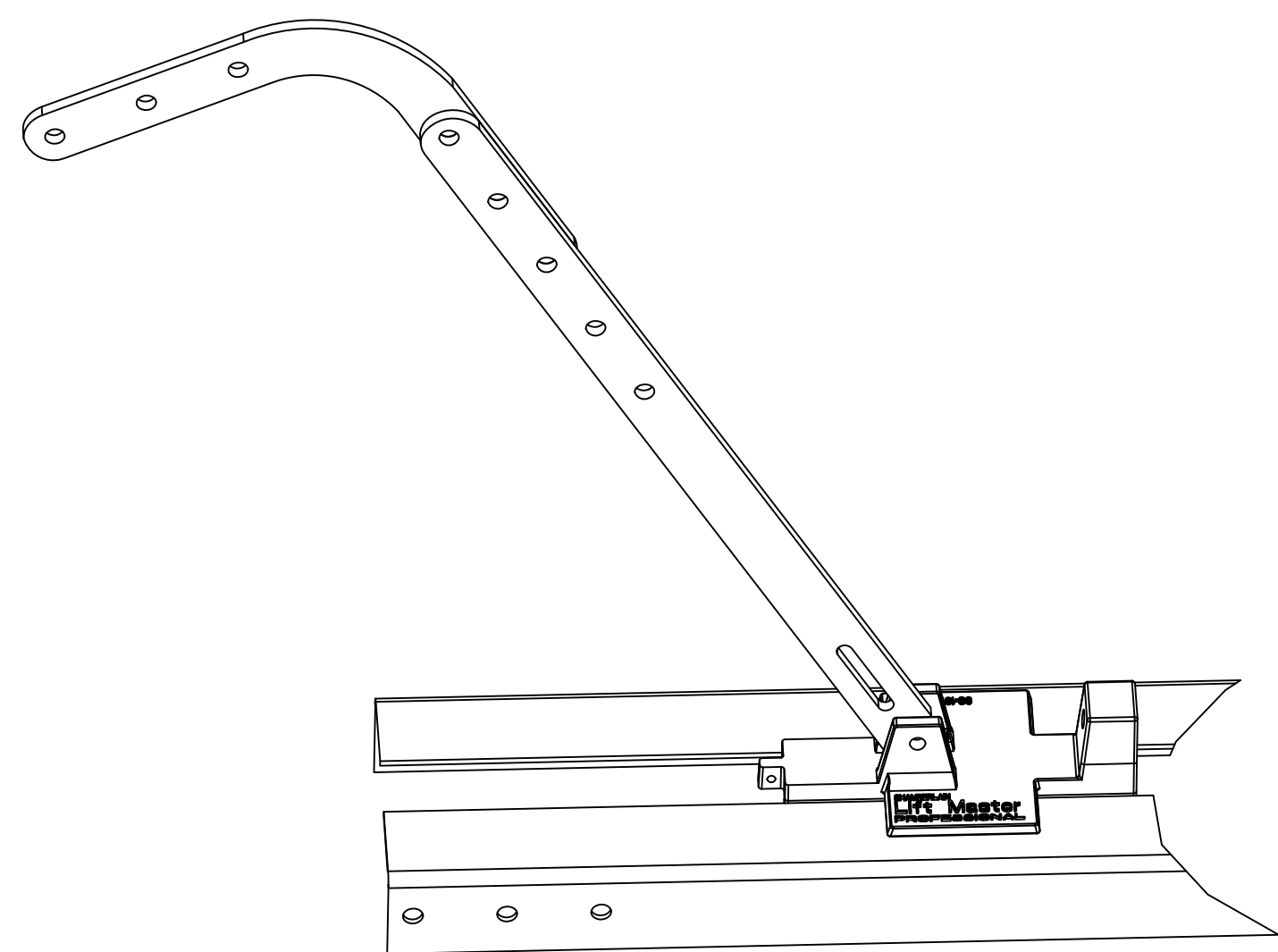
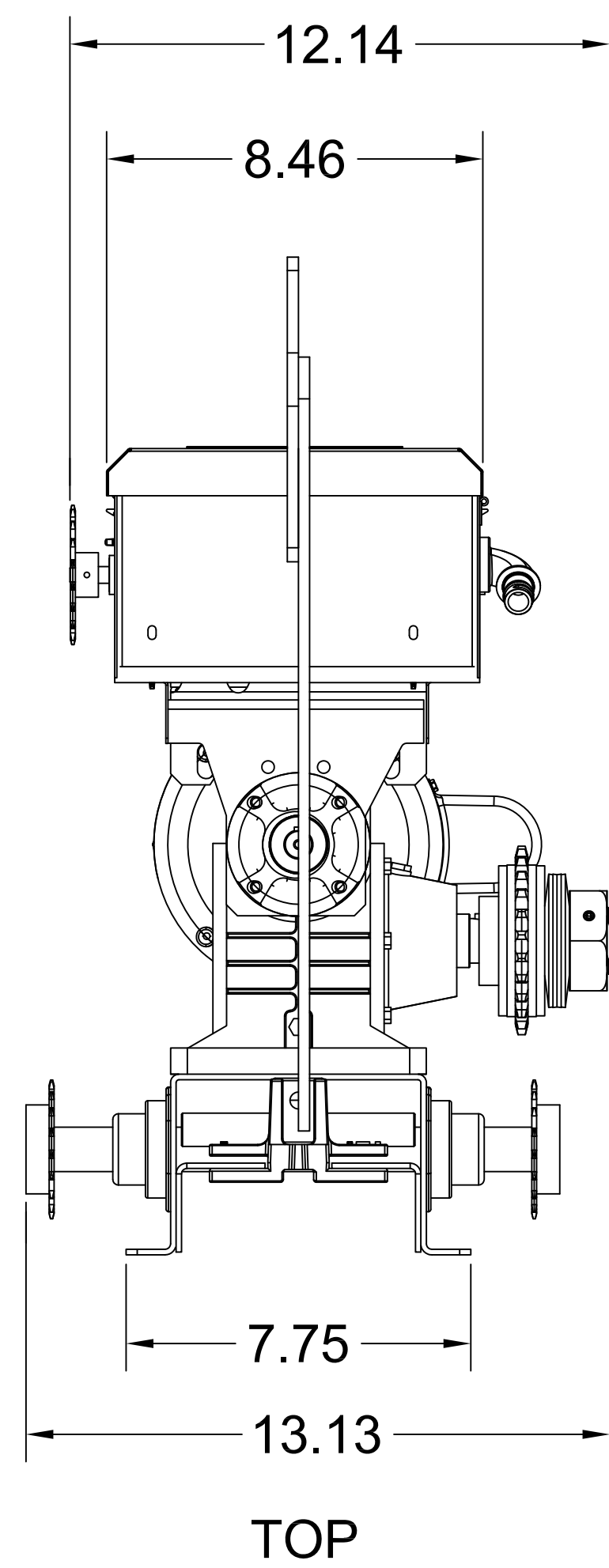
2.00

1.00

LEFT

PRELIMINARY
THIS PRINT IS SUBJECT TO CHANGE
WITH OUT REVISION

		300 WINDSOR DR. OAK BROOK, IL 60523 PHONE: (630) 418-6516 FAX: (630) 516-7059
DRW. BY: B. MOFFETT	REVISION:	SHEET NO:
DATE: 9/11/2018	SCALE: NTS	
TITLE: LIFTMASTER (GT) OPERATOR UNIT		
CAD FILE: -		<h1>2/3</h1>



PRELIMINARY
THIS PRINT IS SUBJECT TO CHANGE
WITH OUT REVISION

LiftMaster [®] LIFTMASTER (CHAMBERLAIN GROUP, INC.) ENGINEERED SERVICES		300 WINDSOR DR. OAK BROOK, IL 60523 PHONE: (630) 418-6516 FAX: (630) 516-7059	
		DRW. BY: B. MOFFETT DATE: 9/11/2018 TITLE: LIFTMASTER (GT) OPERATOR UNIT CAD FILE: -	REVISION: SCALE: NTS