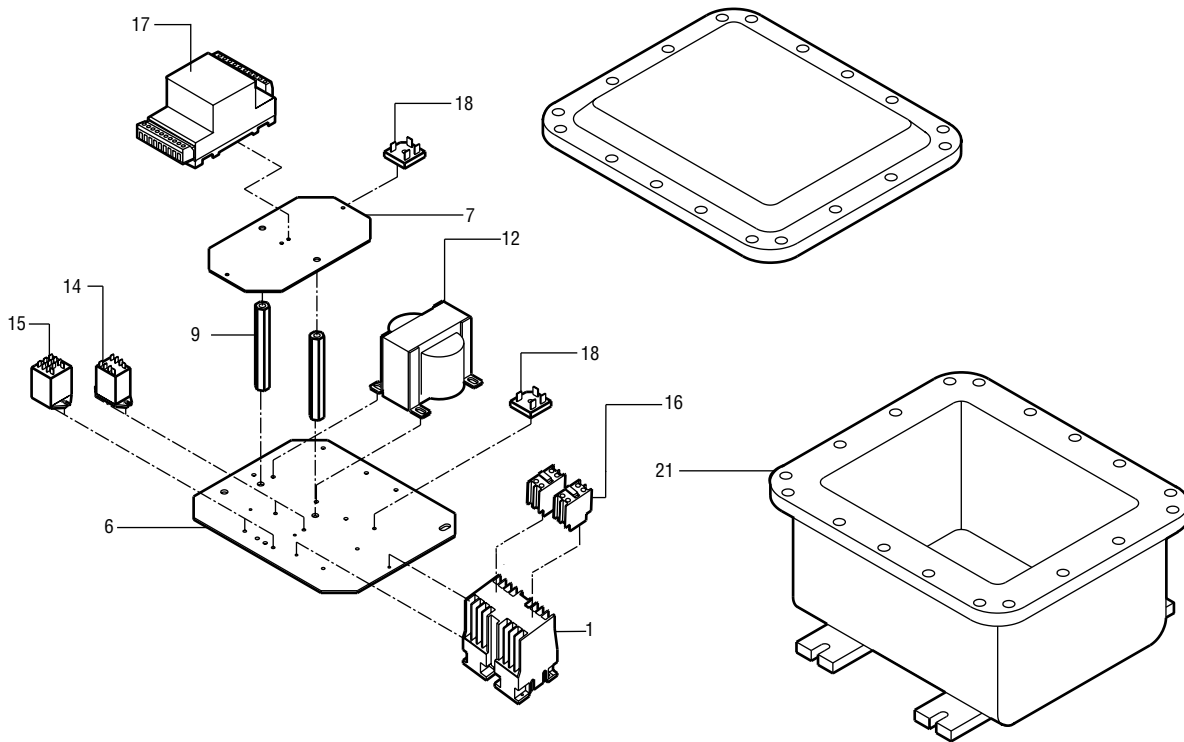


**WARNING:** This product can expose you to chemicals including lead, which are known to the State of California to cause cancer or birth defects or other reproductive harm. For more information go to [www.P65Warnings.ca.gov](http://www.P65Warnings.ca.gov).

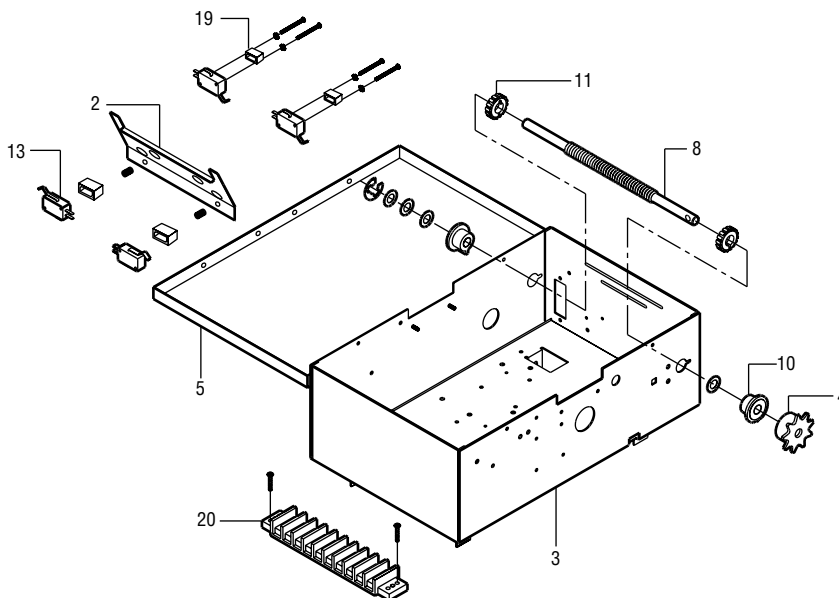
This addendum is to be used in conjunction with the owner's manual included with this operator. Refer to the manual for all mounting instructions. Refer to wiring diagram supplied with operator in lieu of owners manual. The NEMA 7 modification includes a hazardous area motor and separate wall-mounted starter with intrinsically safe control circuit. Since the control circuit is intrinsically safe, control circuit components (limit switches, control station) are housed in general purpose enclosure. A Dynamic Brake and Delay-on-Reverse circuit is also included. For service or replacement part requirements, use this addendum in lieu of those included with the manual.

# ILLUSTRATED PARTS

## EXPLOSION PROOF ENCLOSURE



## GENERAL PURPOSE ENCLOSURE (Intrinsically Safe Enclosure)



# ELECTRICAL BOX REPLACEMENT KIT

To order a complete electrical box replacement kit, add a K-prefix to the model number of your operator, for example:  
**N7GH5011M (Operator) = K-N7GH5011M (Electrical Box Kit)**

## REPAIR PARTS

Below is a parts list for a standard NEMA 7 enclosure for models T, J, H, GH, GSD, SD and GT. Optional modifications and/or accessories may add or remove certain parts from this list. Refer to owners manual for all repair part ordering information.

OVERLOADS (NOT SHOWN)										
OPERATOR	25-4001-5D 1.0-1.6 Amp	25-4002-5D 1.6-2.5 Amp	25-4003-D 2.6-3.7 Amp	25-4004-D 2.5-4.0 Amp	25-4008-D 5.5-8.0 Amp	25-4010-5D 7-10 Amp	25-4011-5D 8.0-11.5 Amp	25-4013-D 9-13 Amp	25-4018-D 12-18 Amp	25-4025-D 17-25 Amp
5011				•						
5021				•						
5025				•						
5043	•									
7511								•		
7521								•		
7525								•		
7543	•									
1011									•	
1021					•					
1023				•						
1043		•								
1053		•								
1025					•					
1038		•								
1511										•
1521						•				
1523					•					
1543			•							
1553		•								
1525						•				
1538			•							
2023					•					
2043			•							
2053			•							
2038			•							
3023								•		
3043						•				
3038						•				

REPAIR PARTS			
ITEM	PART#	DESCRIPTION	QTY
1	K03-8024-D	TEL 24V Reversing Contactor	1
2	K10-10013	Depress Plate	1
3	K10-13792M1	Electrical Box (Cube) Models H, J	1
	K10-13790M1	Electrical Box (Tabs) Models T, SD	1
	K10-13900M1	Electrical Box (No Tabs) Models GT, GH, GSD	1
4	K15-48B9A1	Sprocket, #48B9 3/8" Bore	1
5	K10-13899	Electrical Box Cover (Cube) Models H, J	1
	K10-10115	Electrical Box Cover Models T, SD, GSD, GT	1
6	K10-11842M1	EX.PR. Sub Panel	1
7	K10-11843M	EX. PR. Bracket	1
8	K11-10021	Limit Shaft	1
9	K11-11841	Post, Standoff	2
10	K12-10028	Flange Bearing	2
11	K13-10024	Limit Nut	2
12	K21-7115	Transformer, 1/2 -1-1/2 HP, 1f 115/230V	1
	K21-7460	Transformer, 1/3-3-3/4 HP, 1-2GP 230/460V 3f	1
	K21-7575	Transformer, 1-2 HP 575V 3f	1
13	K23-10041	Limit Switch	4
14	K24-264-4	Relay, Small 24 Vac DPDT	1
15	K24-24-03	Relay	1
16	K27-8004-D	Contactor Block	2
17	K160-0192	Safe Pack	1
18	K29-448	Bridge Rectifier	2
19	K31-12542	Standoff, Limit Switch	4
20	K42-110	10 Pos. Terminal Block	1
21	K44-810-7	Explosion Proof Enclosure	1

# MOTOR REPLACEMENT KITS

## NEMA 7/9 MOTOR KITS FOR MODELS T, J, SD AND H (STD. DUTY BELT DRIVE STYLE OPERATORS)

### 1/3 HORSE POWER

MODEL	CIRCUIT TYPE	VOLTS	PHASE	HZ	MOTOR KIT REQUIRED
3311	L or M	115	1	60	K20-1033B2X
3321	L or M	230	1	60	K20-1033B2X
3323	L or M	208/230	3	60	K20-3033B4X
3343	M	460	3	60	K20-3033B4X
3353	M	575	3	60	K20-3033M5X
3325	M	230	1	50	K20-51033BX
3338	M	380	3	50	K20-3033B4X

### 1/2 HORSE POWER

MODEL	CIRCUIT TYPE	VOLTS	PHASE	HZ	MOTOR KIT REQUIRED
5011	L or M	115	1	60	K20-1050B2X
5021	L or M	230	1	60	K20-1050B2X
5023	L or M	208/230	3	60	K20-3050B4X
5043	M	460	3	60	K20-3050B4X
5053	M	575	3	60	K20-3050M5X
5025	M	230	1	50	K20-51050BX
5038	M	380	3	50	K20-3050B4X

### 3/4 HORSE POWER

MODEL	CIRCUIT TYPE	VOLTS	PHASE	HZ	MOTOR KIT REQUIRED
7511	L or M	115	1	60	K20-1075B2X
7521	L or M	230	1	60	K20-1075B2X
7523	L or M	208/230	3	60	K20-3075B4X
7543	M	460	3	60	K20-3075B4X
7553	M	575	3	60	K20-3075B5X
7525	M	230	1	50	K20-51075BX
7538	M	380	3	50	K20-3075B4X

### 1 HORSE POWER

MODEL	CIRCUIT TYPE	VOLTS	PHASE	HZ	MOTOR KIT REQUIRED
1011	L or M	115	1	60	K20-1100B2X
1021	L or M	230	1	60	K20-1100B2X
1023	L or M	208/230	3	60	K20-3100B4X
1043	M	460	3	60	K20-3100B4X
1053	M	575	3	60	K20-3100B5X

## NEMA 7/9 MOTOR KITS FOR MODELS GT, GSD AND GH (GEAR REDUCED STYLE OPERATORS)

### 1/2 HORSE POWER

MODEL	CIRCUIT TYPE	VOLTS	PHASE	HZ	MOTOR KIT REQUIRED
5011	L or M	115	1	60	K20-1050C2X
5021	L or M	230	1	60	K20-1050C2X
5023	L or M	208/230	3	60	K20-3050C4X
5043	M	460	3	60	K20-3050C4X
5053	M	575	3	60	K20-3050M5X
5025	M	230	1	50	K20-51050CX
5038	M	380	3	50	K20-3050C4X

### 3/4 HORSE POWER

MODEL	CIRCUIT TYPE	VOLTS	PHASE	HZ	MOTOR KIT REQUIRED
7511	L or M	115	1	60	K20-1075C2X
7521	L or M	230	1	60	K20-1075C2X
7523	L or M	208/230	3	60	K20-3075C4X
7543	M	460	3	60	K20-3075C4X
7553	M	575	3	60	K20-3075C5X
7525	M	230	1	50	K20-51075CX
7538	M	380	3	50	K20-3075C4X

### 1 HORSE POWER

MODEL	CIRCUIT TYPE	VOLTS	PHASE	HZ	MOTOR KIT REQUIRED
1011	L or M	115	1	60	K20-1100C2X
1021	L or M	230	1	60	K20-1100C2X
1023	L or M	208/230	3	60	K20-3100C4X
1043	M	460	3	60	K20-3100C4X
1053	M	575	3	60	K20-3100C5X
1025	M	230	1	50	K20-51010CX
1038	M	380	3	50	K20-3100C4X

### 1-1/2 HORSE POWER

MODEL	CIRCUIT TYPE	VOLTS	PHASE	HZ	MOTOR KIT REQUIRED
1511	M	115	1	60	K20-1150C2X
1521	L or M	230	1	60	K20-1150C2X
1523	L or M	208/230	3	60	K20-3150C4X
1543	M	460	3	60	K20-3150C4X
1553	M	575	3	60	K20-3150C5X
1525	M	230	1	50	K20-51015CX
1538	M	380	3	50	K20-3150C4X

### 2 HORSE POWER (GH ONLY)

MODEL	CIRCUIT TYPE	VOLTS	PHASE	HZ	MOTOR KIT REQUIRED
2023	L or M	208/230	3	60	K20-3200C4X
2043	M	460	3	60	K20-3200C4X
2053	M	575	3	60	K20-3200C5X
2038	M	380	3	50	K20-3200C4X

### 3 HORSE POWER (GH ONLY)

MODEL	CIRCUIT TYPE	VOLTS	PHASE	HZ	MOTOR KIT REQUIRED
3023	M	208/230	3	60	K20-3300C4X
3043	M	460	3	60	K20-3300C4X
3038	M	380	3	50	K20-3300C4X