

VFOH VARIABLE SPEED FRONT OF HOOD COMMERCIAL DOOR OPERATOR

SECTION 08 71 13

KEY FEATURES

STANDARD APPLICATION

Recommended for rolling steel commercial doors and grilles that require a front of hood mount and the capacity to control ramp-up and ramp-down speeds of the motor during start or stop, respectively

RATED DUTY CYCLE

Continuous-duty: Up to 200 cycles a day

OPERATOR SPEED

Variable with three pre-configured frequency profiles that include optimized soft start/stop ramps; set via menu. Depending on weight and thickness, door travels 3-12" in the up direction and 3-7" in the down direction

DOOR IN MOTION RELAY

16 individual settings

TWO PROGRAMMABLE AUX INPUTS

Program emergency stop, 2 additional non-monitored entrapment protection devices, or door lock OPEN/CLOSE

LIMIT SETTINGS

Electronic limits; floor level adjustable via controller menu up to 20 ft.

MANUAL HOIST

Single action manual hoist with integral manual operation protection circuit

PROGRAMMING

Via menu on LCD screen in floor mounted controller

OPERATING MODES

C2 (Factory Default), B2, T, TS

TIMER-TO-CLOSE

Programmable in 1 second increments up to 999 seconds (16.65 minutes); default 15 seconds

MID-STOP

Open mid-stop set with jumper wire

RUN TIME PROTECTION

Maximum run timer automatically set by system after 5 cycles

MOTOR REVERSE ACTION PROTECTION

VFD controlled deceleration on reverse

MOTOR OPERATOR WALL CONTROL

Floor mounted controller with LCD and open/close/stop user controls



SPECIFICATIONS

RADIO RECEIVER

Security+ 2.0® technology standard on-board with tri-band frequency; accepts up to (90) single-button or (30) 3-button remote controls plus up to (30) wireless keypads or an unlimited number of DIP switch remotes

CONNECTIVITY

myQ® 902-928 MHz FHSS (Frequency Hopping Spread Spectrum)

VOLTAGE CONNECTIONS

115V single phase; 230V single/3-phase; 460V/575V 3-phase (with step down transformer)

ACCESSORY POWER

500 mA available accessory power via +24VDC terminals

DRIVE REDUCTION

1/2 HP: 43:1 helical spur gearbox; output #50 chain

OUTPUT SHAFT SPEED

1/2 HP: 40RPM at default speed setting MEDIUM

BRAKE

Solenoid powered-off brake standard

CONSTRUCTION

Controller: NEMA 1 VFD controller with integrated open/close/stop controls, LCD display, floor level wiring; and floor level commissioning through intuitive user menu
Powerhead: NEMA 1 electrical boxes for motor wiring and encoder

WARRANTY

2 years

INSTALLATION FEATURES

UNIVERSAL MOUNTING

Left or right handing; inboard or outboard

MAXIMUM DOOR HEIGHT

20 feet standard*

MAXIMUM DOOR WIDTH

20 feet standard*

MAXIMUM WEIGHT

1860 lbs.*

INTERNET CONNECTIVITY

myQ Technology enables remote monitoring and control of the commercial door via myQ Business Facility. Additional hardware required for connecting to the internet; 819LMB myQ Bridge or 828LM Internet Gateway

This commercial door operator must feature constant pressure to close or be equipped with an external monitored entrapment protection device. Use only LiftMaster monitored entrapment protection devices itemized on the accessory page of the operator's installation manual to meet UL 325 requirements.

*Contact us at Specs@LiftMaster.com for system selection charts by door type/weight.

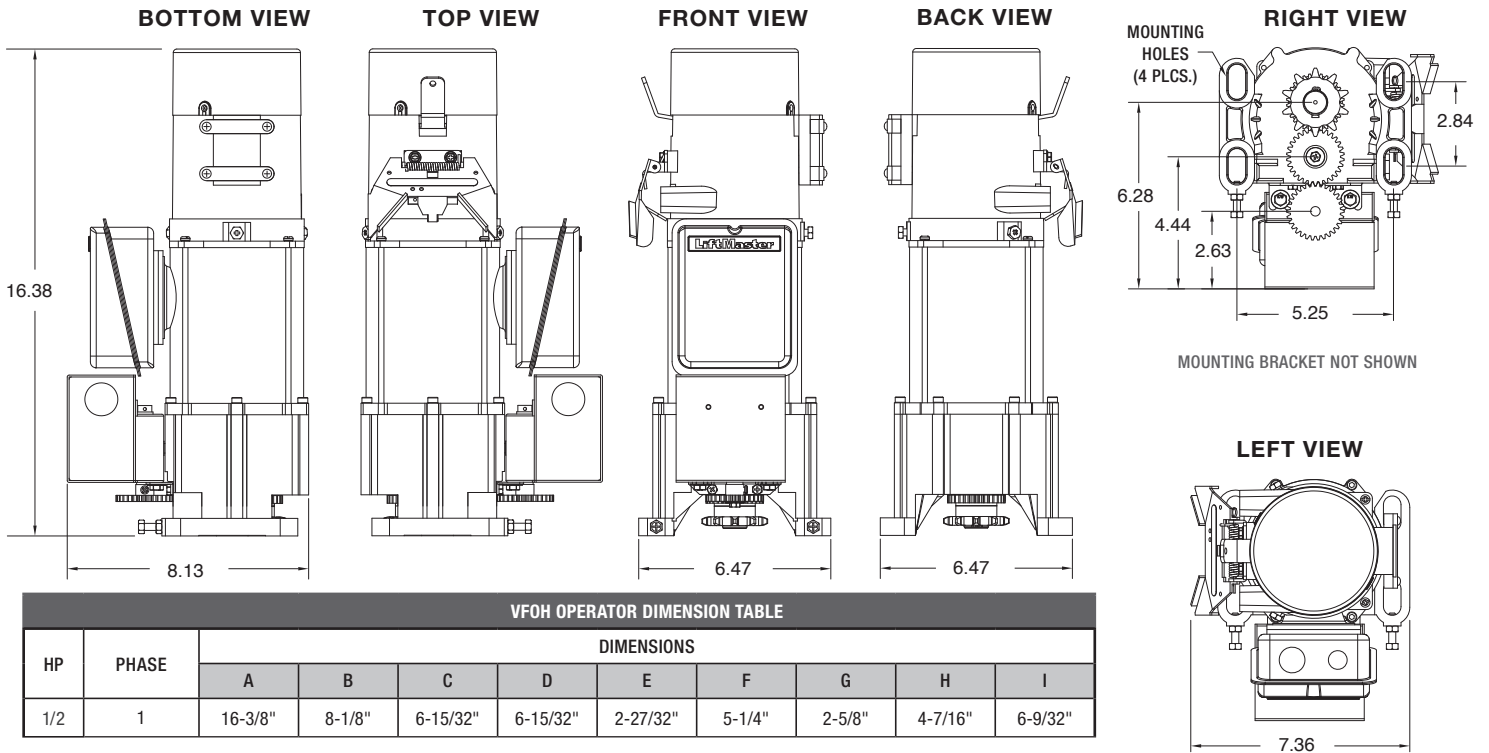
DATA SHEET
VARIABLE SPEED FRONT OF HOOD
COMMERCIAL DOOR OPERATOR

LiftMaster

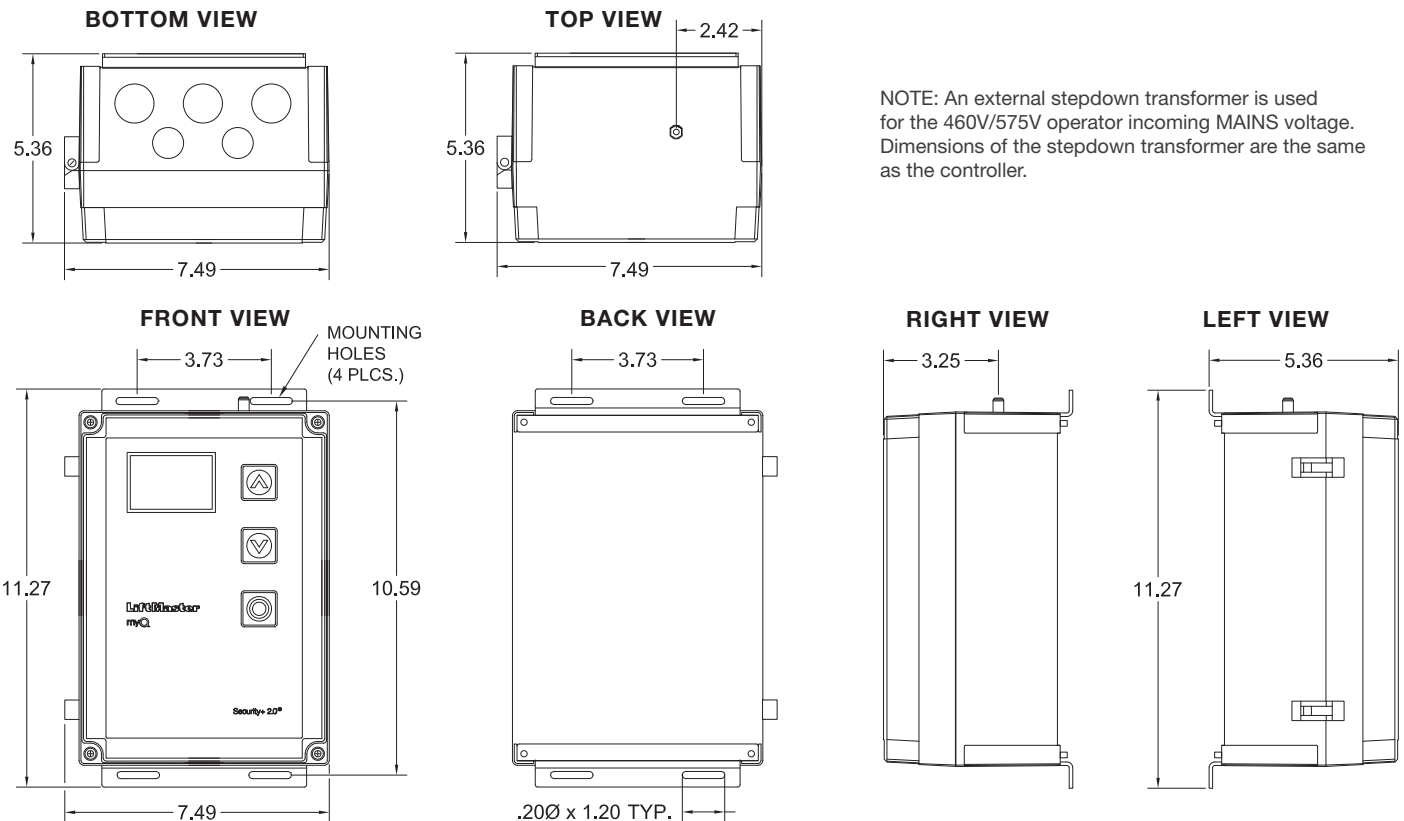
VFOH VARIABLE SPEED FRONT OF HOOD COMMERCIAL DOOR OPERATOR

SECTION 08 71 13

DIMENSIONS VFOH



DIMENSIONS CONTROLLER



NOTE: An external stepdown transformer is used for the 460V/575V operator incoming MAINS voltage. Dimensions of the stepdown transformer are the same as the controller.

VFOH VARIABLE SPEED FRONT OF HOOD COMMERCIAL DOOR OPERATOR

SECTION 08 71 13

MAXIMUM DOOR WEIGHT CHART (POUNDS)

MEDIUM SPEED 1/2 HP

| DOOR THICKNESS | | 17/32 In. | 21/32 In. | 3/4 In. | 7/8 In. | 1 In. |
|----------------|--------|-----------|-----------|---------|---------|-------|
| DOOR HEIGHT | 10 ft. | 1750 | 1860 | 1560 | 1350 | 1200 |
| | 12 ft. | 1750 | 1560 | 1350 | 1200 | 1050 |
| | 14 ft. | 1750 | 1560 | 1200 | 1200 | 800 |
| | 16 ft. | 1560 | 1350 | 1200 | 1050 | 800 |
| | 18 ft. | 1560 | 1350 | 1050 | 1050 | 800 |
| | 20 ft. | 1350 | 1200 | 1050 | 800 | 800 |

FAST SPEED 1/2 HP

| DOOR THICKNESS | | 17/32 In. | 21/32 In. | 3/4 In. | 7/8 In. | 1 In. |
|----------------|--------|-----------|-----------|---------|---------|-------|
| DOOR HEIGHT | 10 ft. | 1350 | 1200 | 1050 | 800 | 800 |
| | 12 ft. | 1350 | 1050 | 800 | 800 | 500 |
| | 14 ft. | 1200 | 800 | 800 | 800 | 500 |
| | 16 ft. | 1050 | 800 | 800 | 500 | 500 |
| | 18 ft. | 1050 | 800 | 500 | 500 | 500 |
| | 20 ft. | 800 | 800 | 500 | 500 | 500 |

Please email Specs@LiftMaster.com for additional specifications, selection guides and dimensioned drawings.